

F

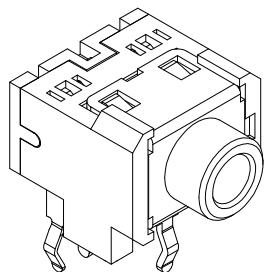
E

D

C

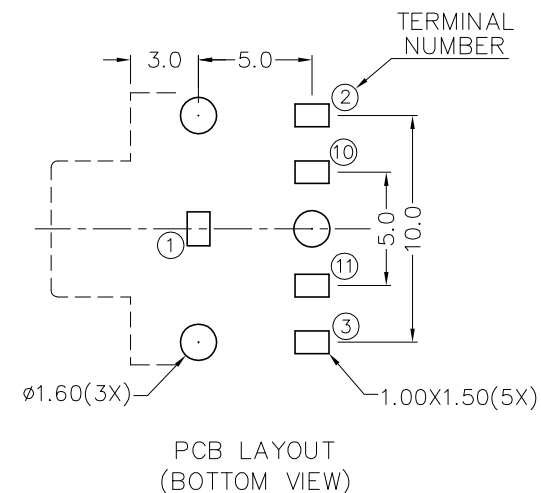
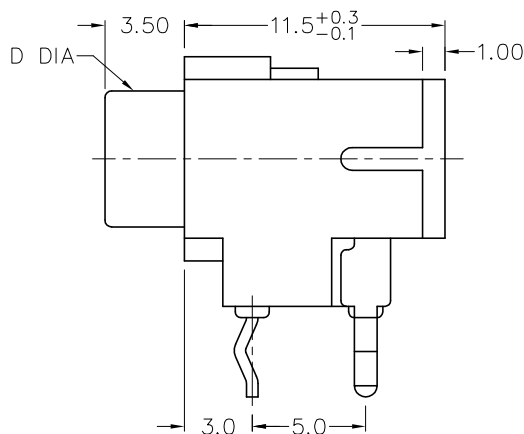
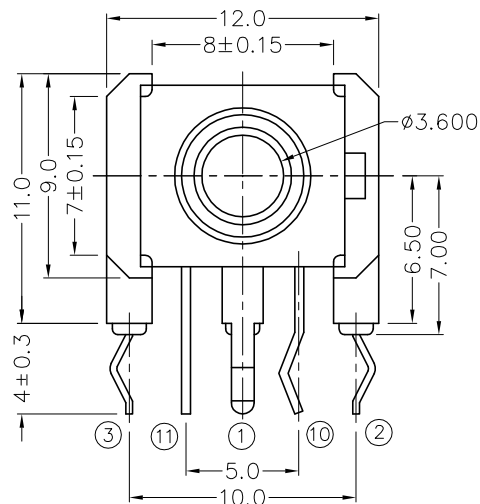
B

A



RoHS
Compliant

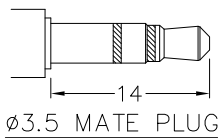
| ZONE | SYMBOL | REVISION | APPROVAL | DATE |
|------|--------|---------------|-----------|-----------|
| | | ADD MATE PLUG | J.X.KUANG | 6-10-2006 |
| | | | | |
| | | | | |



| THREADED | M6X0.5 | MODEL NO. | TSH-3845N | TSH-3844AN | TSH-3844BN | TSH-3843N | TSH-3843AN |
|----------|-----------|-----------|-----------|------------|------------|-----------|------------|
| FLASHED | ø6.0 | MODEL NO. | TSH-3845F | TSH-3844AF | TSH-3844BF | TSH-3843F | TSH-3843AF |
| D DIA | SCHEMATIC | | | | | | |

* MATERIAL

TERMINAL 1 : COLD ROLLED STEEL
 TERMINAL 2 : COPPER ALLOY
 TERMINAL 3 : COPPER ALLOY
 TERMINAL 10 : BRASS
 TERMINAL 11 : BRASS
 BUSHING : BRASS
 SPRING : STAINLESS STEEL
 HOUSING : PBT
 COVER : PBT



CHAMPWAY 冠泰電子有限公司
CHAMPWAY ELECTRONICS CO., LTD.

| | | | | | |
|----------|-----------|------|-----------|----------|----------------|
| DESIGN | Z.X.N | DATE | 18-9-2003 | SCALE | 3:1 |
| DRAWING | L.L.ZHANG | DATE | 6-10-2006 | MATERIAL | * |
| CHECK | | DATE | | DWG. NO. | TZ\SH384-PBT/B |
| APPROVAL | | DATE | | SHEET | |

| | | | | | |
|-----------|-------------------|----------------------|------------------------|-------|--|
| PART NAME | 3.5mm STEREO JACK | TOLERANCE UNLESS | 0.0±0.2 | UNIT: | |
| PART NO. | TSH-384 | OTHERWISE SPECIFIED: | 0.00±0.1 0.000±0.05 | mm | |

F

E

D

C

B

A

DCF-04/A