

F

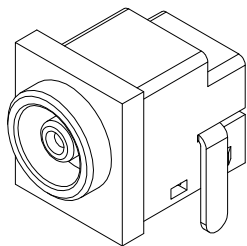
E

D

C

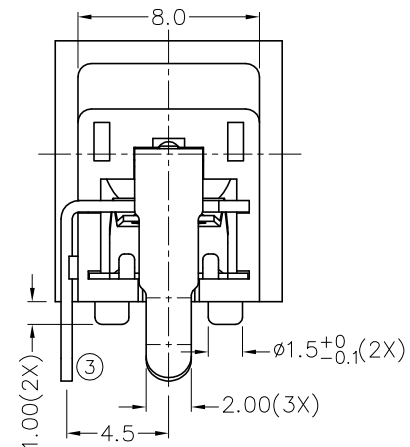
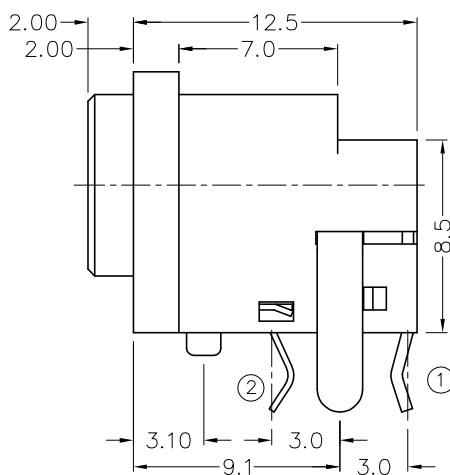
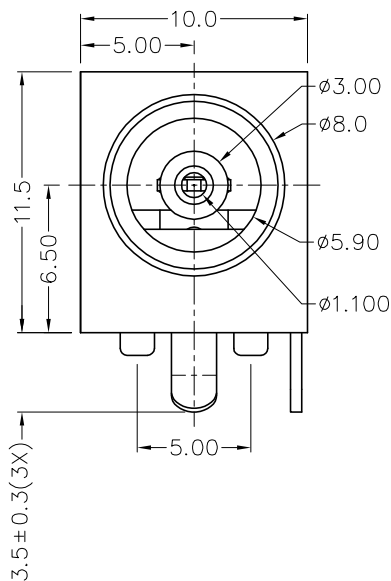
B

A



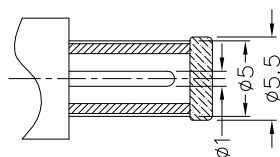
RoHS  
Compliant

ZONE	SYMBOL	REVISION	APPROVAL	DATE
		ADD RoHS Compliant	J.X.KUANG	25-7-2006



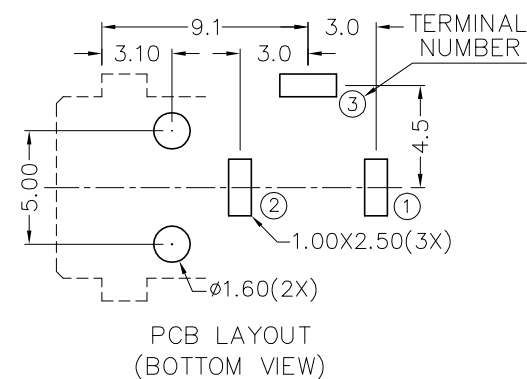
\* MATERIAL

TERMINAL 1 : BRASS  
 TERMINAL 2 : COPPER ALLOY  
 TERMINAL 3 : BRASS  
 HOUSING : PBT



DC MATE PLUG

MODEL NO.	TDC-058-2
SCHEMATIC	



**CHAMPWAY** 冠泰電子有限公司  
 CHAMPWAY ELECTRONICS CO., LTD.

DESIGN	J.X.KUANG	DATE	10-8-2004	SCALE	3:1
DRAWING	T.Y.LI	DATE	25-7-2006	MATERIAL	*
CHECK		DATE		DWG. NO.	TZ\DC058-2-PBT/B
APPROVAL		DATE		SHEET	

PART NAME	DC POWER SOCKET	TOLERANCE UNLESS	0.0±0.2	UNIT:	
PART NO.	TDC-058-2	OTHERWISE SPECIFIED:	0.00±0.1 0.000±0.05	mm	

F

E

D

C

B

A

DCF-04/A