

F

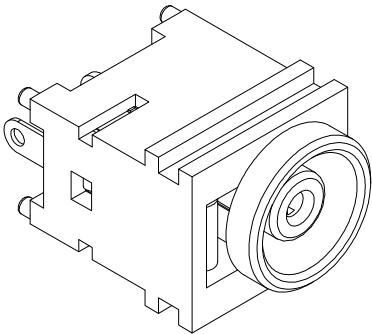
E

D

C

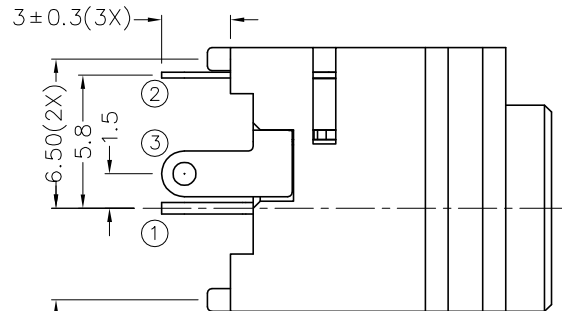
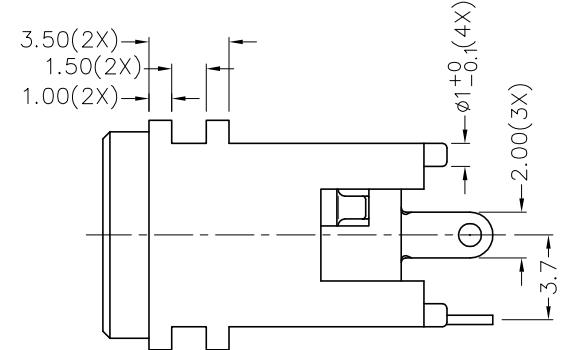
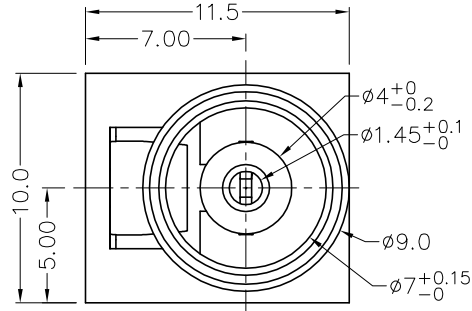
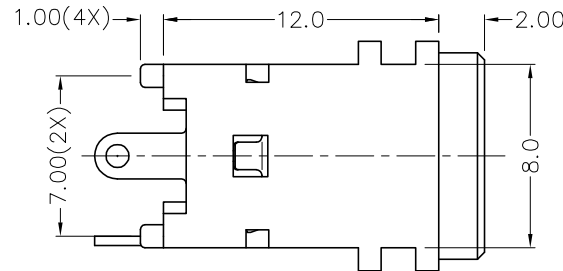
B

A

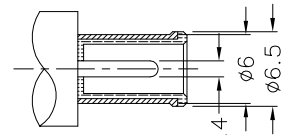
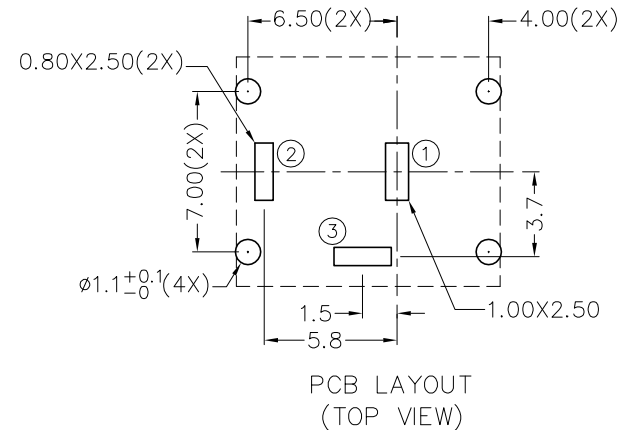


RoHS
Compliant

ZONE	SYMBOL	REVISION	APPROVAL	DATE



*** MATERIAL**
 TERMINAL 1 : BRASS
 TERMINAL 2 : COPPER ALLOY
 TERMINAL 3 : BRASS
 HOUSING : PA66



DC MATE PLUG

MODEL NO.	TDC-091
SCHMATIC	

CHAMPWAY 冠泰電子有限公司
 CHAMPWAY ELECTRONICS CO., LTD.

DESIGN	G.P. YI	DATE	3-11-2010	SCALE	3:1
DRAWING	G.P. YI	DATE	3-11-2010	MATERIAL	*
CHECK		DATE		DWG. NO.	TZ\DC091-PA66/A
APPROVAL		DATE		SHEET	

PART NAME	DC POWER SOCKET	TOLERANCE UNLESS	0.0±0.2	UNIT: mm
PART NO.	TDC-091	OTHERWISE SPECIFIED:	0.00±0.1 0.000±0.05	

F

E

D

C

B

A