

F

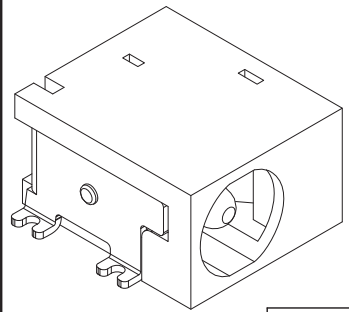
E

D

C

B

A

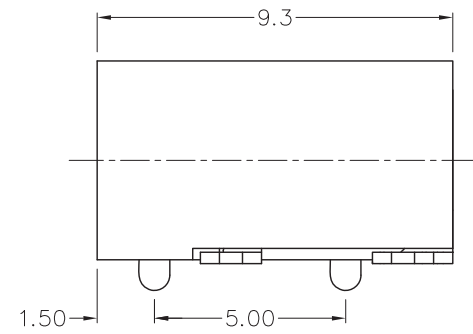
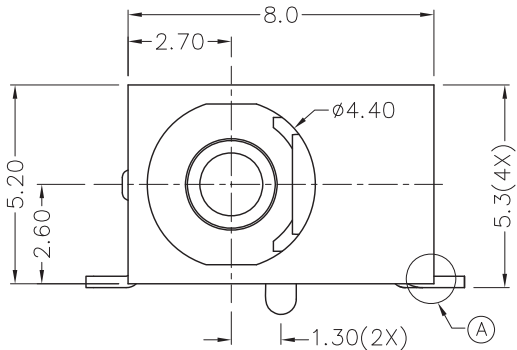
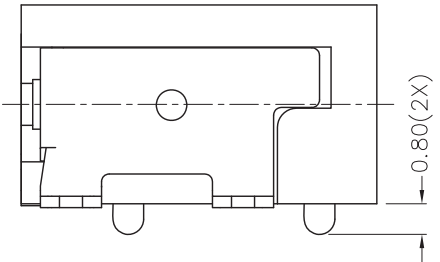


RoHS  
Compliant

ZONE	SYMBOL	REVISION	APPROVAL	DATE
		UPDATE THE DWG.	J.X.KUANG	1-3-2012

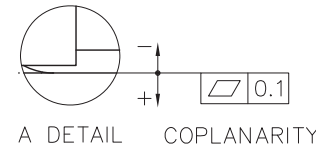
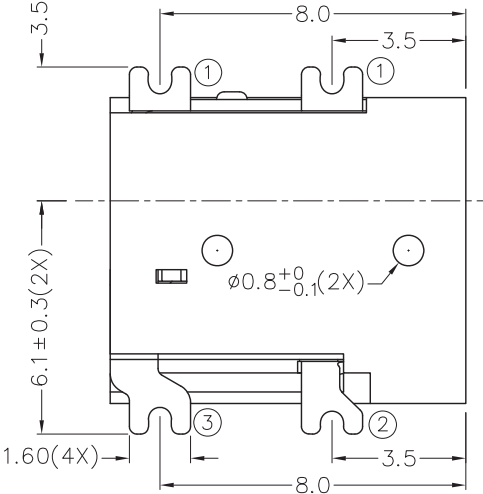
1

1

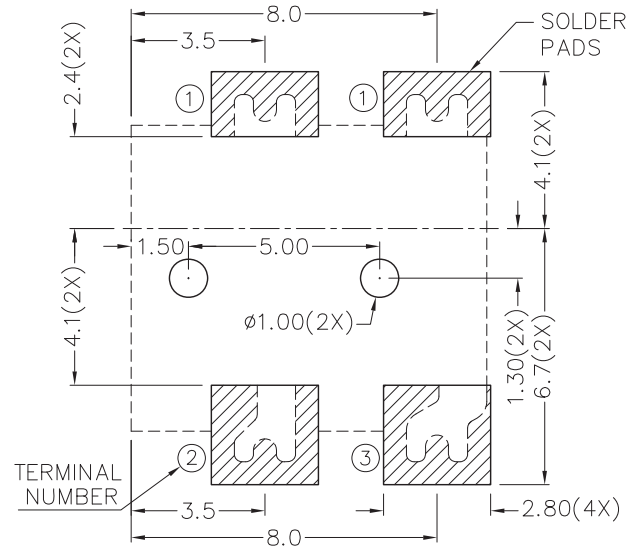


2

2



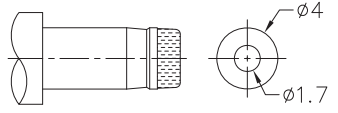
\* MATERIAL:  
 CENTRE PIN : COPPER  
 TERMINAL 1 : BRASS  
 TERMINAL 2 : COPPER ALLOY  
 TERMINAL 3 : BRASS  
 HOUSING : PA6T



3

3

MODEL NO.	TDC-033H
SCHEMATIC	
CENTER PIN	φ1.65mm



DC MATE PLUG

RECOMMENDED  
SOLDER PAD LAYOUT  
(TOP VIEW)

4

4

**CHAMPWAY** 冠泰電子有限公司  
CHAMPWAY ELECTRONICS CO., LTD.

DESIGN	L.L.ZHANG	DATE	29-7-2005	SCALE	5:1
DRAWING	T.Y.LI	DATE	1-3-2012	MATERIAL	*
CHECK		DATE		DWG. NO.	TZ\DC033H-PA6T/F
APPROVAL		DATE		SHEET	

PART NAME	HIGH CURRENT SMD DC POWER SOCKET	TOLERANCE UNLESS	0.0±0.2	UNIT:	
PART NO.	TDC-033H	OTHERWISE SPECIFIED:	0.00±0.1 0.000±0.05	mm	

F

E

D

C

B

A