

PART NO.(P/N.):

LS701AHP - * * - * R - *

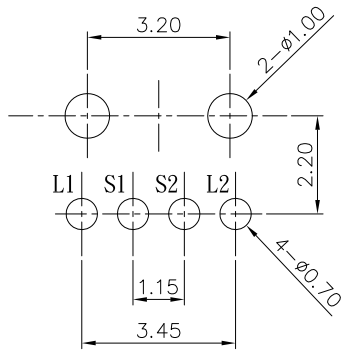
LED SW
RIGHT ANGLE

PACKING
R=REEL
A=TRAY

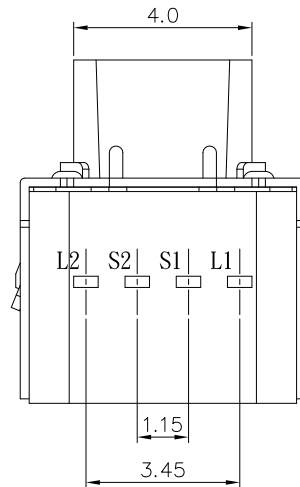
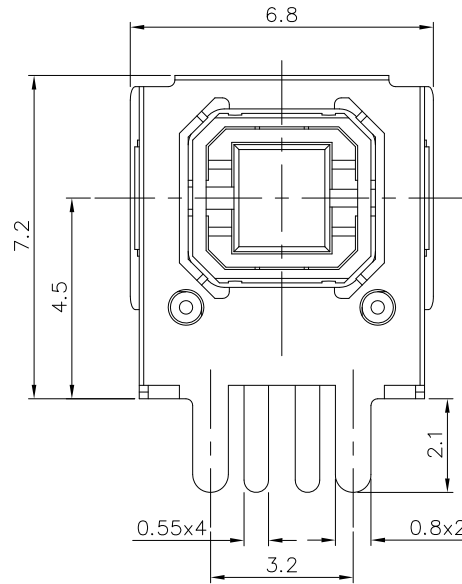
LED COLOR

N=NO LED Y=YELLOW
G=GREEN PG=PURE GREEN
R=RED A=AMBER
U=BLUE W=WHITE
RA=RED + AMBER
RG=RED + GREEN
RPG=RED + PURE GREEN
RW=RED+WHITE
AG=AMBER + GREEN
UG=BLUE + GREEN

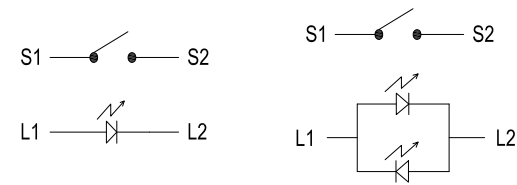
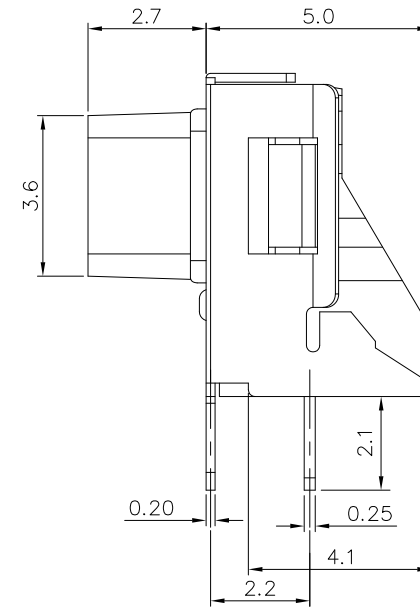
OPERATING FORCE
H=220gf



PCB LAYOUT
TOP VIEW



RevNo	Revision note	Date	Signature



Circuit Diagram

TOLERANCE UNLESS OTHERWISE SPEC.

BASIC DIMENSIONS	TOLERANCE
FOLLOWING 6	±0.3
ABOVE 6 TO 18	±0.35
ABOVE 18 TO 50	±0.4
ABOVE 50	±0.45
ANGULAR DIMENSIONS	±1°

Designed by	L.Y.D		 冠泰電子有限公司 CHAMPWAY ELECTRONICS CO., LTD.					
Checked by			Unit	mm	Scale	1/1	Date	2011.10.14
Approved by		Item	LED SWITCH		Tool	A-Cad	Sheet	1/1
Model	H: 7.0mm RIGHT ANGLE DIP	Drawing name	LS701AHP- * * - * R - *		Rev.	0		