

NOTE

1. RATING : DC 12V 50mA
2. CONTACT RESISTANCE : 100mΩMAX
3. GENERAL TOLERANCE : +/- 0.2 mm
4. MANUFACTURING SPECIFICATION
WOULD BE ACCORDANCE WITH WT0158
5. PART NO.(P/N.):

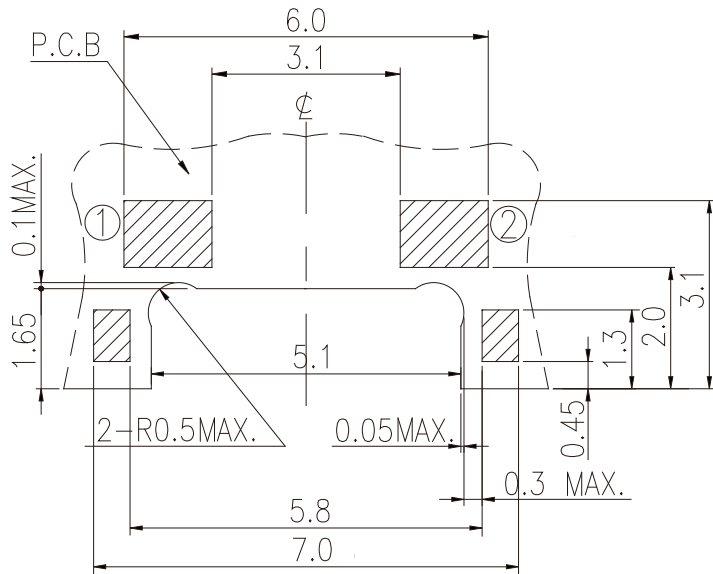
TS108FMP - * * R - R

OFFSET
RIGHT ANGLE

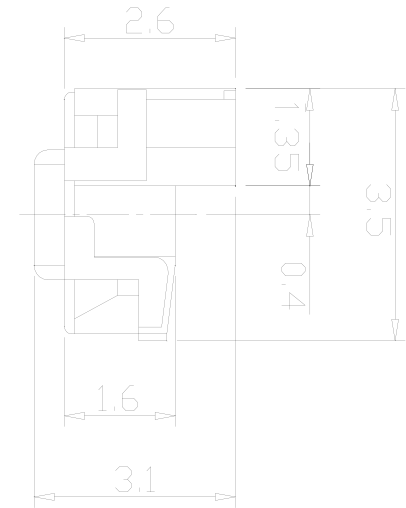
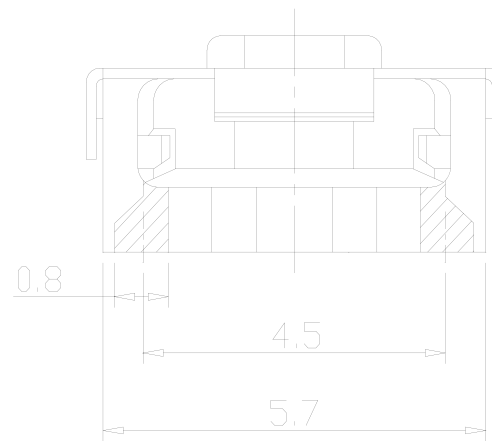
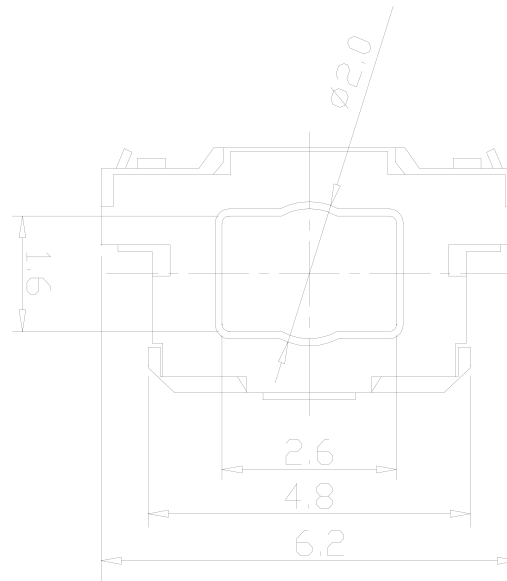
PACKING
R=REEL

OPERATING FORCE
B=160gf
C=260gf

STEM COLOR
□=WHITE



P.C.B LAYOUT



CIRCUIT DIAGRAM

RevNo	Revision note	Date	Signature

Designed by	L.Y.D						
Checked by			冠泰電子有限公司 CHAMPWAY ELECTRONICS CO., LTD.				
Approved by		Unit	mm	Scale	1/1	Date	2011.10.14
Item	Tactile Switch		Tool	Sheet	1/1	Rev.	0
Model	OFFSET RIGHT ANGLE SMD		Drawing name	TS108FMP- * * R-R			