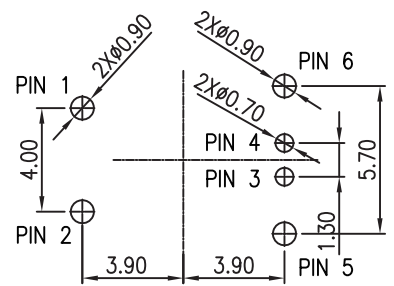
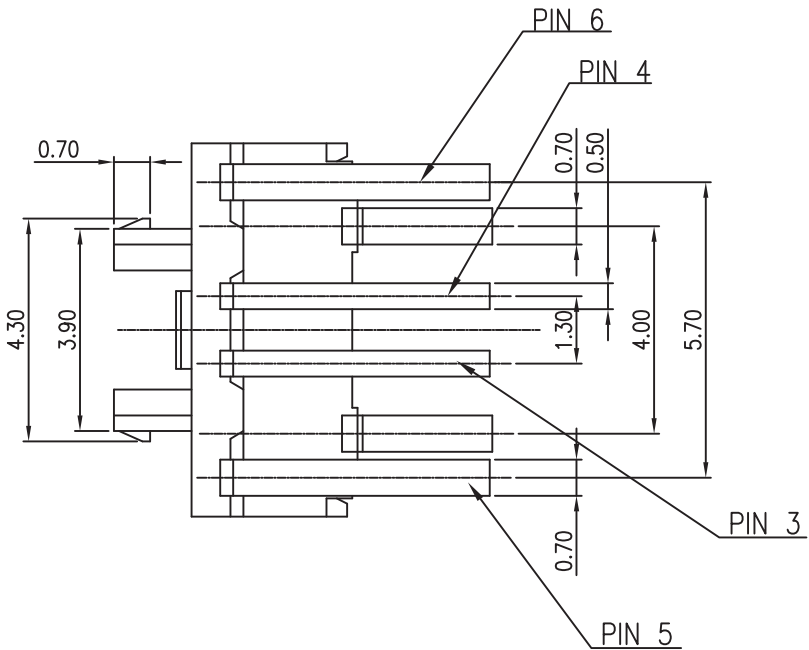
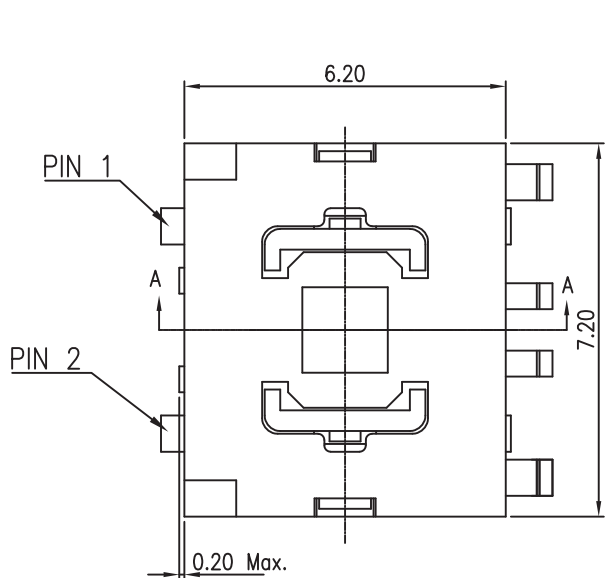
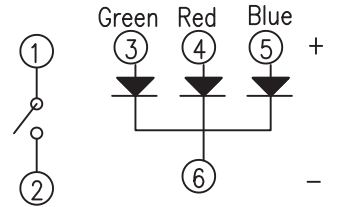


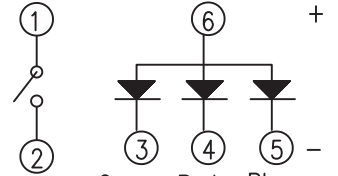
REV	Q'TY	ECN. NO.	APPD
X0		NEW DESIGN	



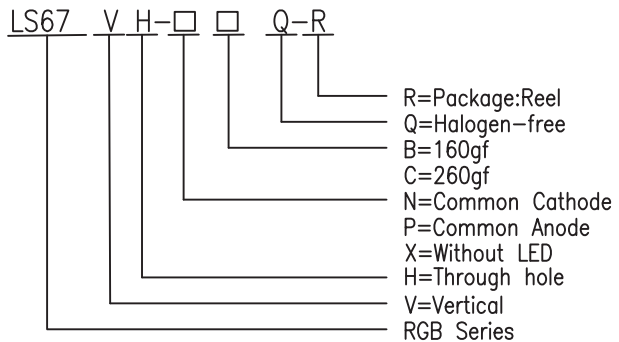
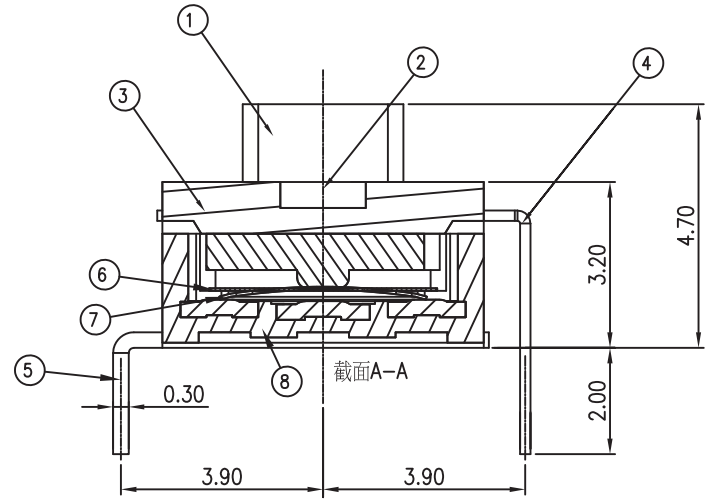
SCALE 5:1
PCB LAYOUT
(TOP VIEW)



CIRCUIT-COMMON CATHODE



CIRCUIT-COMMON ANODE



8	BASE	NYLON	COLOR:BLACK
7	CONTACT	STAINLESS	SILVER PLATED OVER NICKEL UNDER PLATING
6	TAPE	POLYIMIDE	
5	TERMINAL	BRASS	SILVER PLATED OVER NICKEL UNDER PLATING
4	LED TERMINAL	PHSOPHOR BRONZE	SILVER PLATED OVER NICKEL UNDER PLATING
3	COVER	NYLON	COLOR:BLACK
2	LED		SEE LED MATERIALS TABLE
1	STEM	NYLON	COLOR:BLACK
ITEM	DESCRIPTION	MATERIAL	FINISHED,REMARKED

CHAMPWAY 冠泰電子有限公司
CHAMPWAY ELECTRONICS CO., LTD

INTENDED USE: VERTICAL LED SWITCH		TITLE: FULL COLOR RGB LED TACT SWITCH	
.XX' ±0.2	.XX' ±2.0'	APPD.: Benson Lin 10-Apr-18	DWG. NO.: LS67VH-□□Q-R
MAT'L:		CHKD.:	SCALE: 10:1
FINISH:		DR.: Benson Lin 10-Apr-18	PAGE: 1/1
		UNIT: mm	REV.: X0