

F

E

D

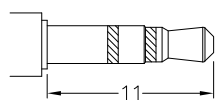
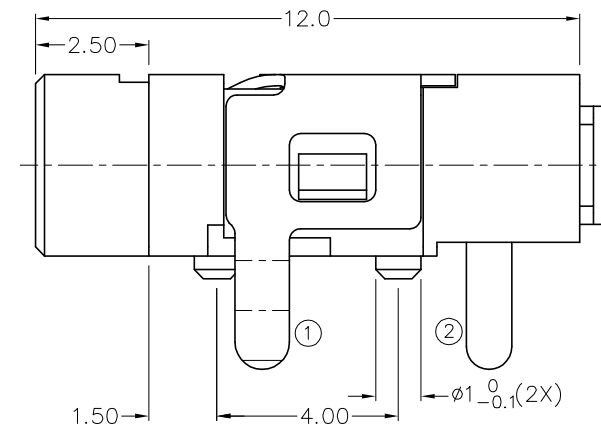
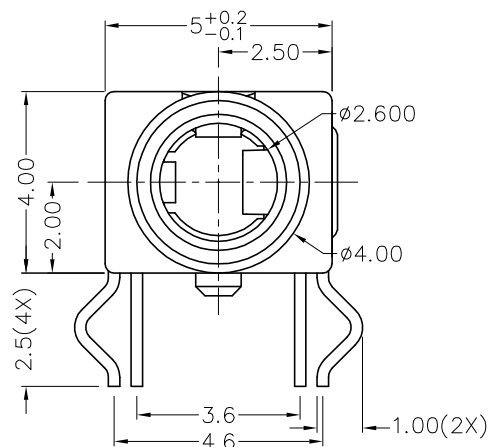
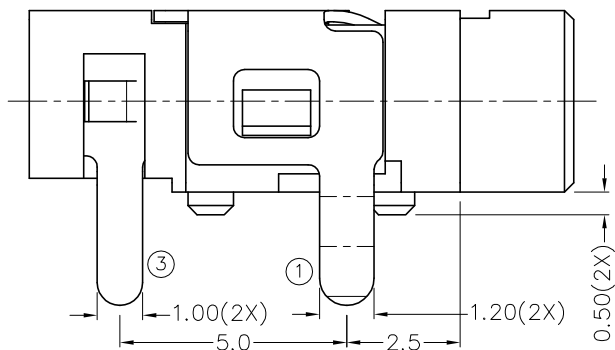
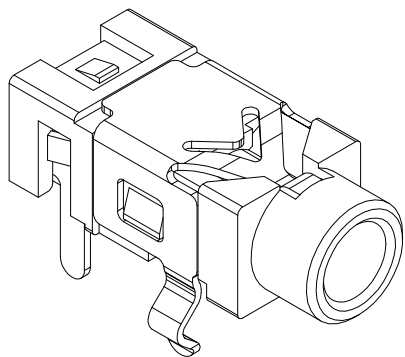
C

B

A

RoHS  
Compliant

ZONE	SYMBOL	REVISION	APPROVAL	DATE
		ADD MATE PLUG	J.X.KUANG	10-8-2006

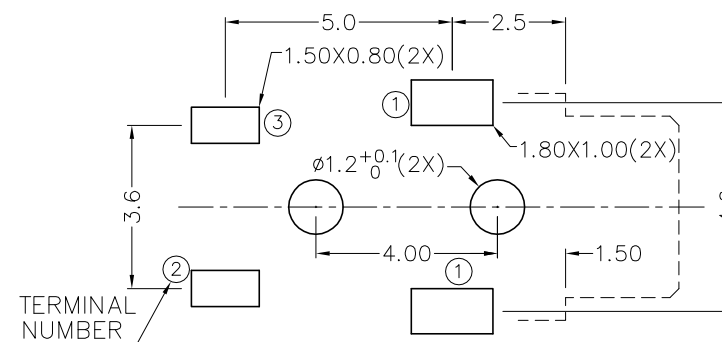


Ø2.5 MATE PLUG

MODEL NO.	TG-2803
SCHMATIC	

\* MATERIAL

TERMINAL 1 : COPPER ALLOY  
 TERMINAL 2 : COPPER ALLOY  
 TERMINAL 3 : COPPER ALLOY  
 HOUSING : PA66



PCB LAYOUT  
(BOTTOM VIEW)



**CHAMPWAY** 冠泰電子有限公司  
 CHAMPWAY ELECTRONICS CO., LTD.

DESIGN	T.Y.LI	DATE	2-10-2003	SCALE	6:1
DRAWING	T.Y.LI	DATE	10-8-2006	MATERIAL	*
CHECK		DATE		DWG. NO.	TZ\TG280-PA66/B
APPROVAL		DATE		SHEET	

PART NAME 2.5mm STEREO JACK

TOLERANCE UNLESS 0.0±0.2

UNIT: mm



PART NO. TG-280

OTHERWISE SPECIFIED: 0.00±0.1  
 0.000±0.05

F

E

D

C

B

A

DCF-04/A