

F

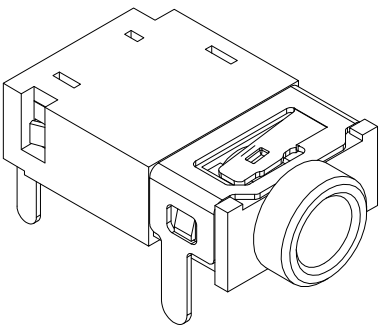
E

D

C

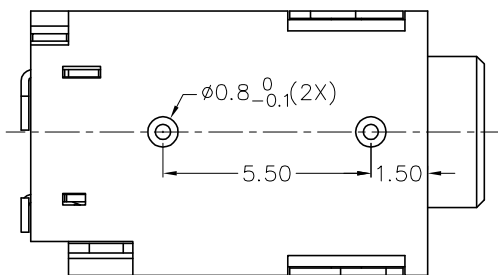
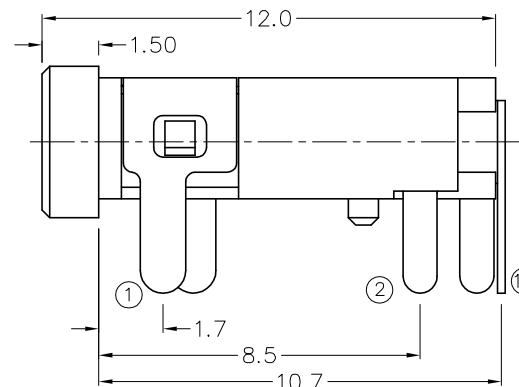
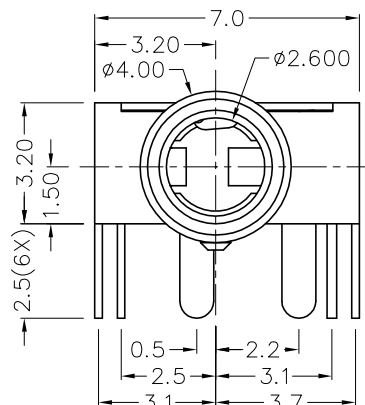
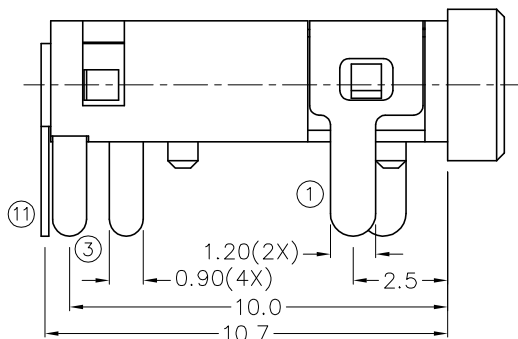
B

A



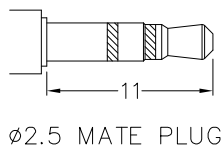
RoHS
Compliant

ZONE	SYMBOL	REVISION	APPROVAL	DATE
		ADD MATE PLUG	J.X.KUANG	10-8-2006

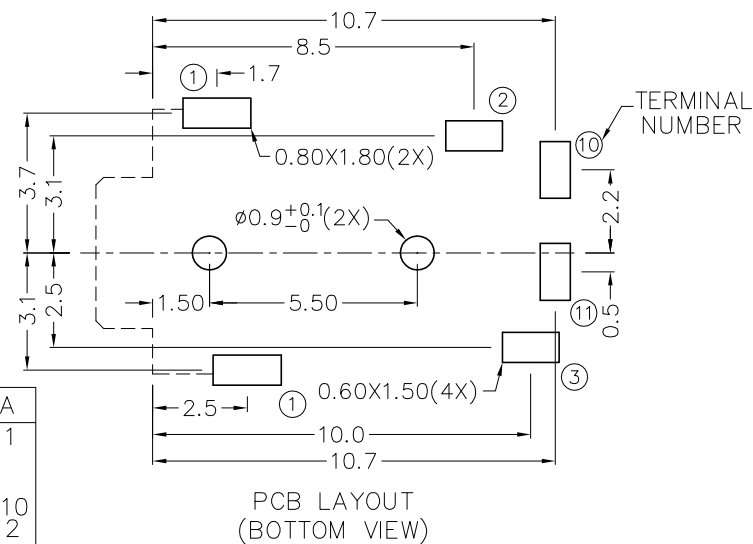


* MATERIAL

TERMINAL 1 : COPPER ALLOY
 TERMINAL 2 : COPPER ALLOY
 TERMINAL 3 : COPPER ALLOY
 TERMINAL 10 : BRASS
 TERMINAL 11 : BRASS
 HOUSING : PA66



MODEL NO.	TG-2835	TG-2834A	TG-2834B	TG-2833	TG-2833A
SCHEMATIC					



CHAMPWAY 冠泰電子有限公司
 CHAMPWAY ELECTRONICS CO., LTD.

DESIGN	T.Y.LI	DATE	14-2-2004	SCALE	5:1
DRAWING	T.Y.LI	DATE	10-8-2006	MATERIAL	*
CHECK		DATE		DWG. NO.	TZ\TG283-PA66/B
APPROVAL		DATE		SHEET	

PART NAME	2.5mm STEREO JACK	TOLERANCE UNLESS	0.0±0.2	UNIT:	mm
PART NO.	TG-283	OTHERWISE SPECIFIED:	0.00±0.1 0.000±0.05		

F

E

D

C

B

A

DCF-04/A