

F

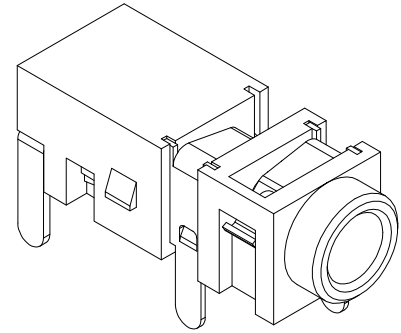
E

D

C

B

A

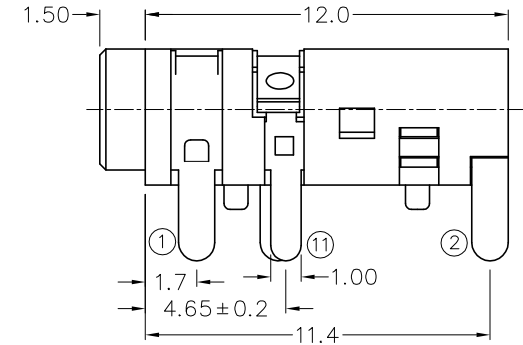
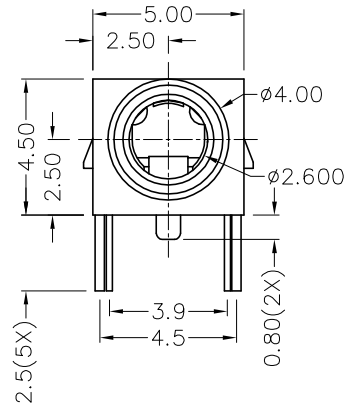
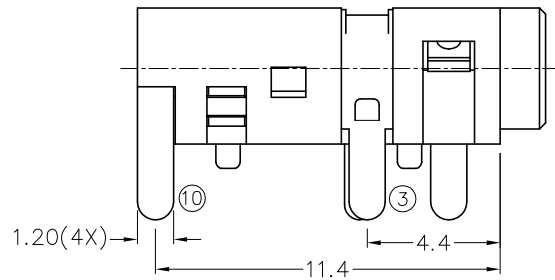


RoHS
Compliant

ZONE	SYMBOL	REVISION	APPROVAL	DATE

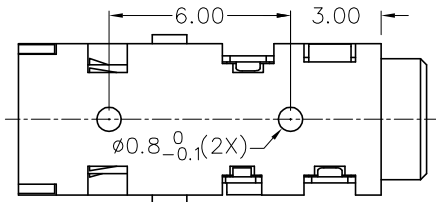
1

1



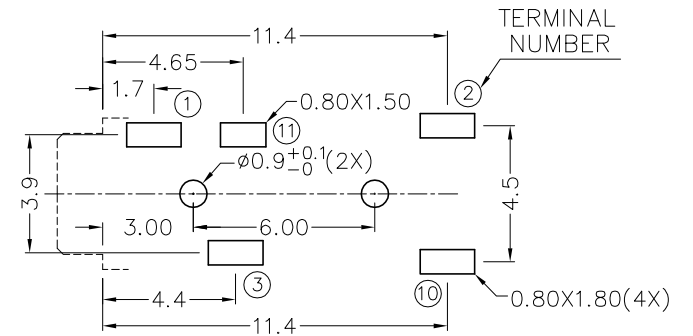
2

2



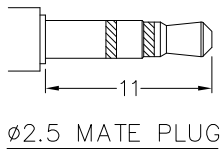
* MATERIAL

TERMINAL 1 : COPPER ALLOY
 TERMINAL 2 : COPPER ALLOY
 TERMINAL 3 : COPPER ALLOY
 TERMINAL 10 : BRASS
 TERMINAL 11 : BRASS
 HOUSING : PA66



3

3



4

4

MODEL NO.	TG-2915	TG-2914A	TG-2914B	TG-2913	TG-2913A
SCHEMATIC					

PCB LAYOUT
(BOTTOM VIEW)



CHAMPWAY 冠泰電子有限公司
 CHAMPWAY ELECTRONICS CO., LTD.

DESIGN	T.Y.LI	DATE	10-1-2007	SCALE	4:1
DRAWING	T.Y.LI	DATE	10-1-2007	MATERIAL	*
CHECK		DATE		DWG. NO.	TZ\TG291-PA66/A
APPROVAL		DATE		SHEET	

PART NAME	2.5mm STEREO JACK	TOLERANCE UNLESS	0.0±0.2	UNIT:	
PART NO.	TG-291	OTHERWISE SPECIFIED:	0.00±0.1 0.000±0.05	mm	

F

E

D

C

B

A

DCF-04/A