

F

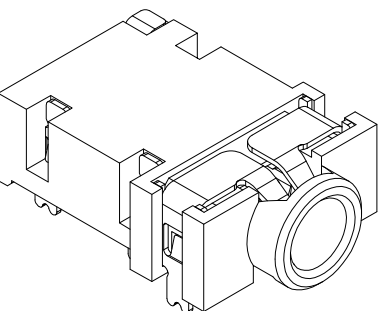
E

D

C

B

A

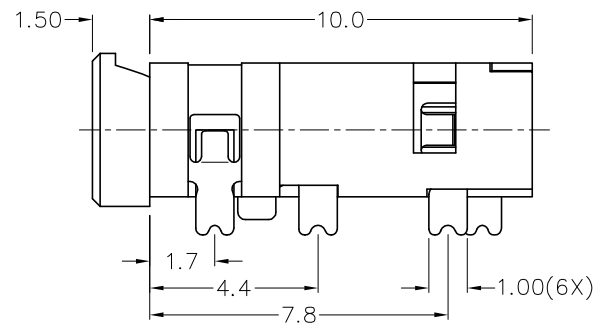
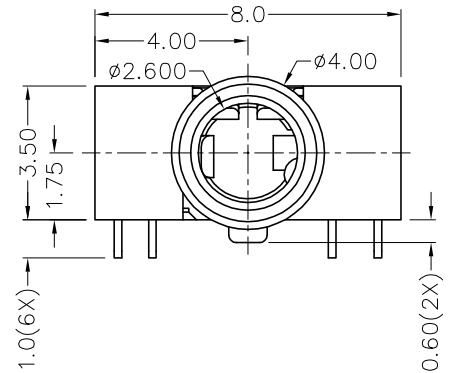
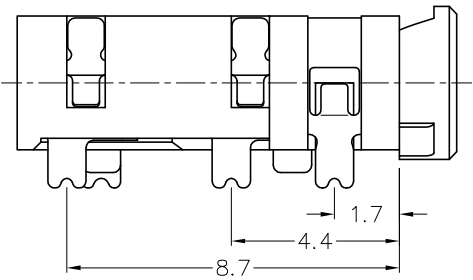


RoHS
Compliant

ZONE	SYMBOL	REVISION	APPROVAL	DATE

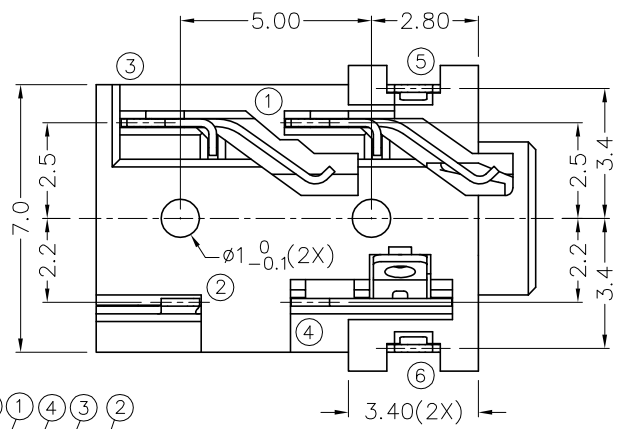
1

1

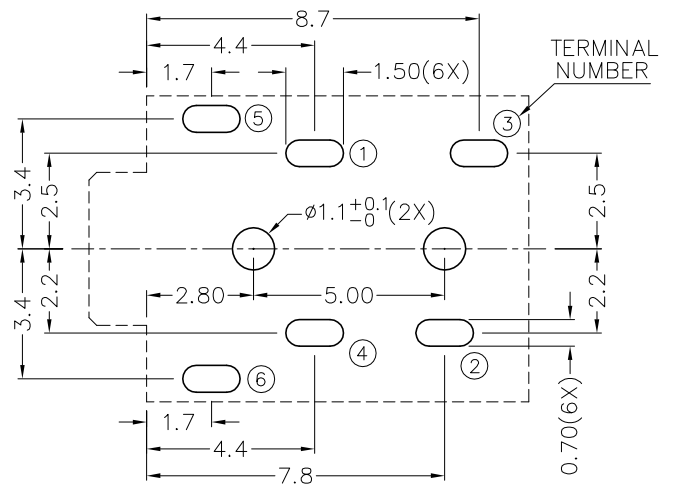


2

2

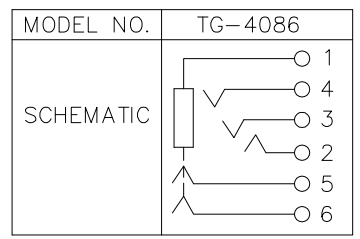
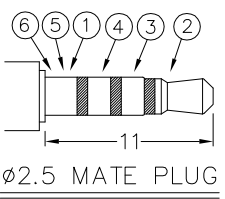


- * MATERIAL
- TERMINAL 1 : COPPER ALLOY
 - TERMINAL 2 : COPPER ALLOY
 - TERMINAL 3 : COPPER ALLOY
 - TERMINAL 4 : COPPER ALLOY
 - TERMINAL 5 : COPPER ALLOY
 - TERMINAL 6 : COPPER ALLOY
 - HOUSING : PA6T



3

3



PCB LAYOUT
(TOP VIEW)

4

4

CHAMPWAY 冠泰电子有限公司
CHAMPWAY ELECTRONICS CO., LTD.

DESIGN	G.P.YI	DATE	17-11-2008	SCALE	5:1
DRAWING	G.P.YI	DATE	17-11-2008	MATERIAL	*
CHECK		DATE		DWG. NO.	TZ\TG408-PA6T/A
APPROVAL		DATE		SHEET	

PART NAME	2.5mm STEREO JACK	TOLERANCE UNLESS	0.0±0.2	UNIT: mm	
PART NO.	TG-408	OTHERWISE SPECIFIED:	0.00±0.1 0.000±0.05		

F

E

D

C

B

A