

F

E

D

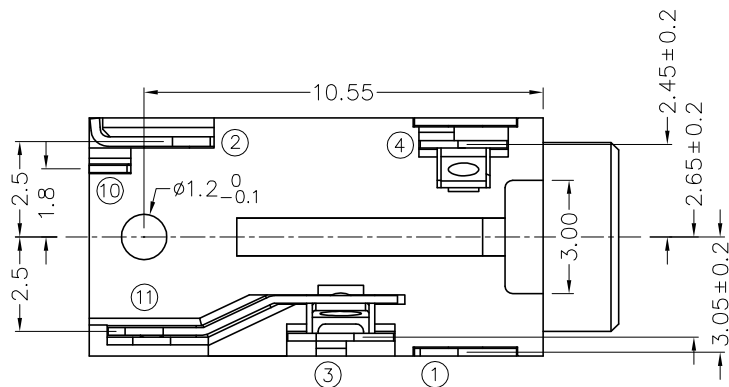
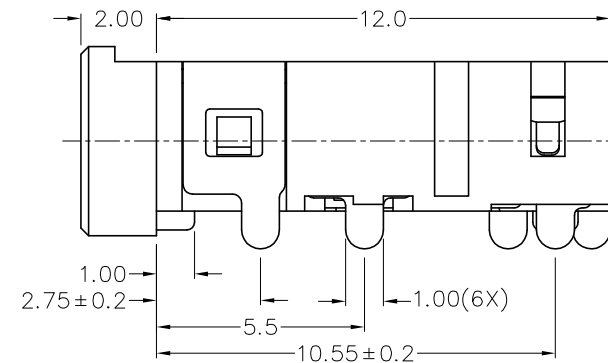
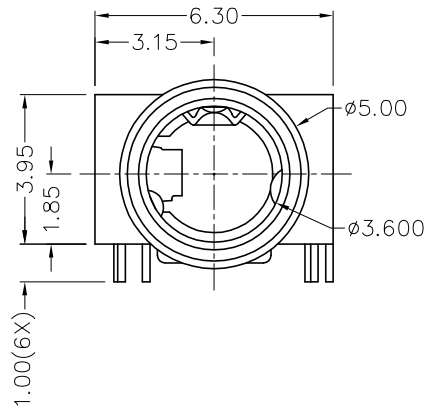
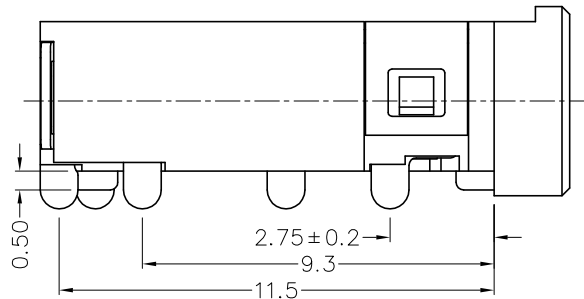
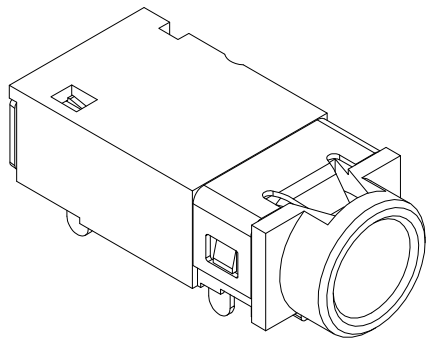
C

B

A

RoHS
Compliant

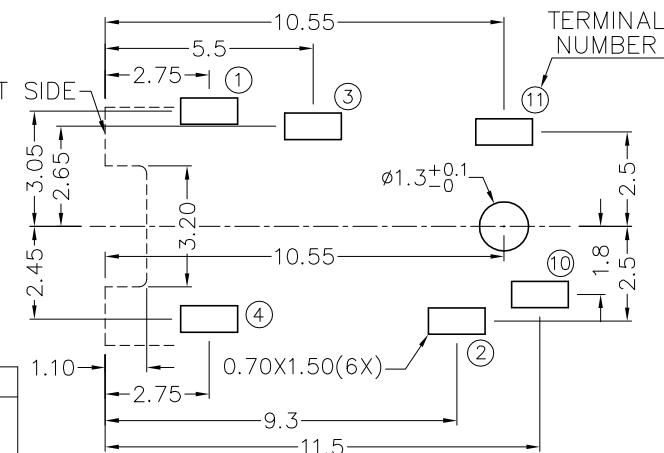
ZONE	SYMBOL	REVISION	APPROVAL	DATE



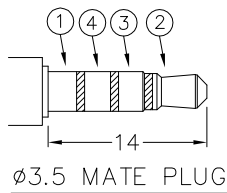
* MATERIAL

TERMINAL 1 : COPPER ALLOY
 TERMINAL 2 : COPPER ALLOY
 TERMINAL 3 : COPPER ALLOY
 TERMINAL 4 : COPPER ALLOY
 TERMINAL 10 : COPPER ALLOY
 TERMINAL 11 : COPPER ALLOY
 HOUSING : PA6T

P.C.B LAYOUT SIDE



PCB LAYOUT
(BOTTOM VIEW)



MODEL NO.	TSH-3956-2	TSH-3955A-2	TSH-3955B-2	TSH-3954-2
SCHEMATIC				



CHAMPWAY 冠泰電子有限公司
CHAMPWAY ELECTRONICS CO., LTD.

DESIGN	T.Y.LI	DATE	28-11-2007	SCALE	5:1
DRAWING	T.Y.LI	DATE	28-11-2007	MATERIAL	*
CHECK		DATE		DWG. NO.	TZ\SH395-2-PA6T/A
APPROVAL		DATE		SHEET	

PART NAME	3.5mm STEREO JACK	TOLERANCE UNLESS	0.0±0.2	UNIT:	
PART NO.	TSH-395-2	OTHERWISE SPECIFIED:	0.00±0.1 0.000±0.05	mm	

F

E

D

C

B

A