

F

E

D

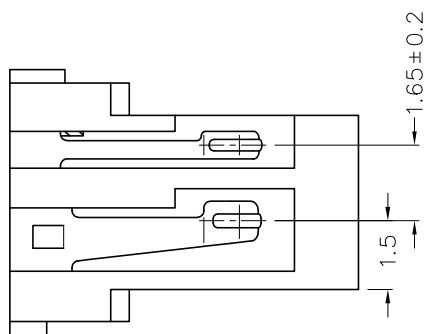
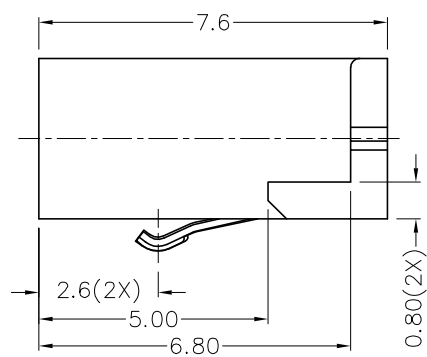
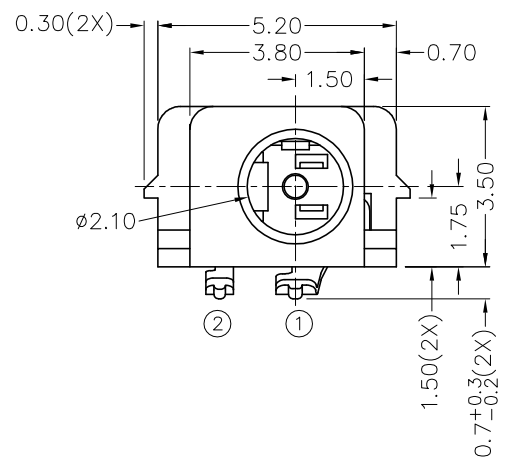
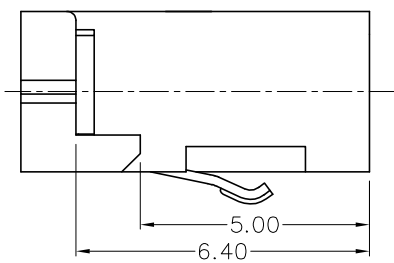
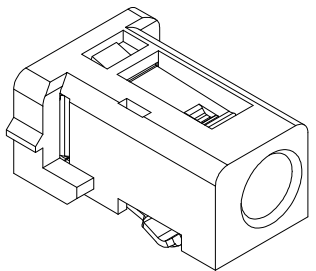
C

B

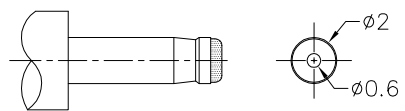
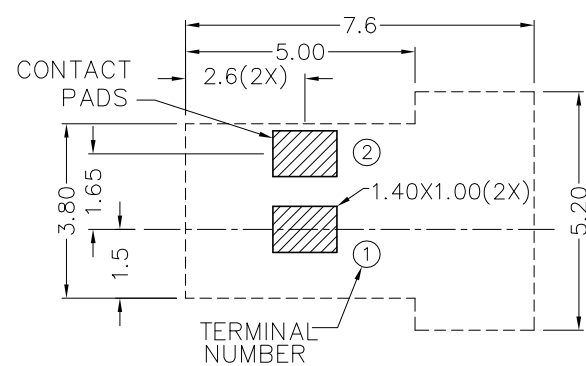
A

ZONE	SYMBOL	REVISION	APPROVAL	DATE

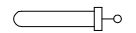
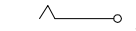
RoHS
Compliant



* MATERIAL
 TERMINAL 1 : COPPER ALLOY
 TERMINAL 2 : COPPER ALLOY
 HOUSING : PA6T

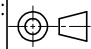


DC MATE PLUG

MODEL NO.	TDC-075
SCHEMATIC	 1  2
CENTER PIN	∅0.5mm

RECOMMENDED
PCB LAYOUT

 **CHAMPWAY** 冠泰電子有限公司
 CHAMPWAY ELECTRONICS CO., LTD.

PART NAME	DC POWER SOCKET	TOLERANCE UNLESS 0.0±0.2 0.00±0.1 OTHERWISE SPECIFIED: 0.000±0.05	UNIT: mm		DESIGN	X.N.ZHENG	DATE	22-2-2008	SCALE	6:1
					DRAWING	X.N.ZHENG	DATE	22-2-2008	MATERIAL	*
PART NO.	TDC-075				CHECK		DATE		DWG. NO.	TZ\DC075-PA6T/A
					APPROVAL		DATE		SHEET	

F

E

D

C

B

A