

F

E

D

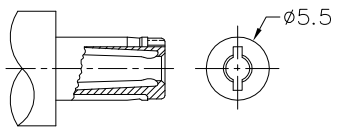
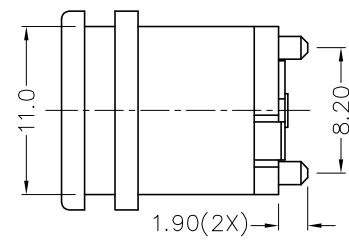
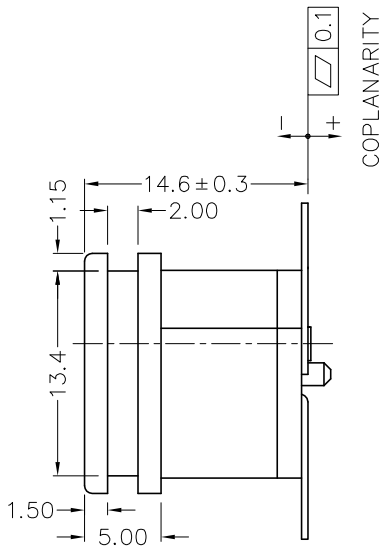
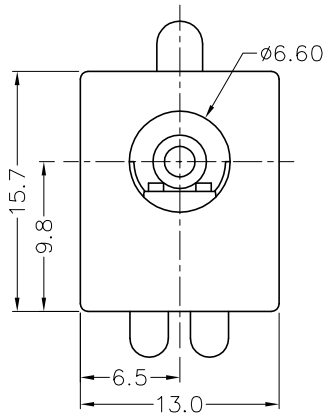
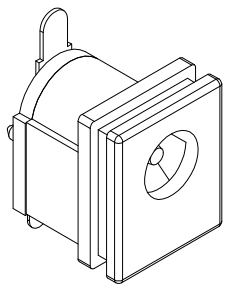
C

B

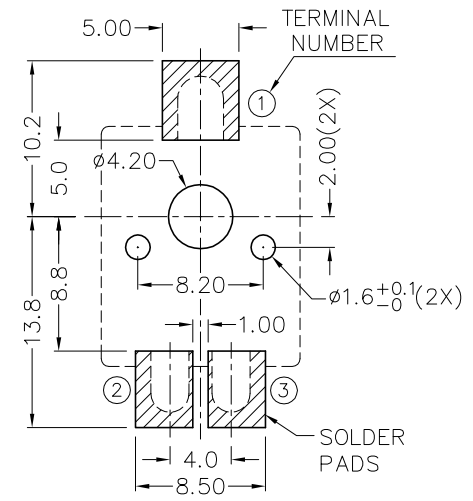
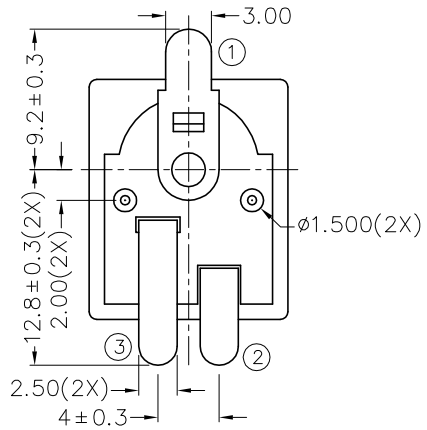
A

ZONE	SYMBOL	REVISION	APPROVAL	DATE
		UPDATE DIM.	J.X.KUANG	1-11-2010

RoHS
Compliant



DC MATE PLUG



RECOMMENDED
SOLDER PAD LAYOUT
(TOP VIEW)

MODEL NO.	TDC-025H
SCHEMATIC	
CENTER PIN	ø2mm
	ø2.5mm

* MATERIAL

- CENTRE PIN : COPPER
- TERMINAL 1 : BRASS
- TERMINAL 2 : COPPER ALLOY
- TERMINAL 3 : BRASS
- HOUSING : PA6T
- COVER : PA6T

CHAMPWAY 冠泰電子有限公司
CHAMPWAY ELECTRONICS CO., LTD.

PART NAME	HIGH CURRENT SMD DC POWER SOCKET	TOLERANCE UNLESS	0.0±0.2	UNIT:	
PART NO.	TDC-025H	OTHERWISE SPECIFIED:	0.00±0.1 0.000±0.05		

DESIGN	L.L.ZHANG	DATE	14-10-2005	SCALE	2:1
DRAWING	T.Y.LI	DATE	1-11-2010	MATERIAL	*
CHECK		DATE		DWG. NO.	TZ\DC025H-PA6T/C
APPROVAL		DATE		SHEET	

F

E

D

C

B

A