

F

E

D

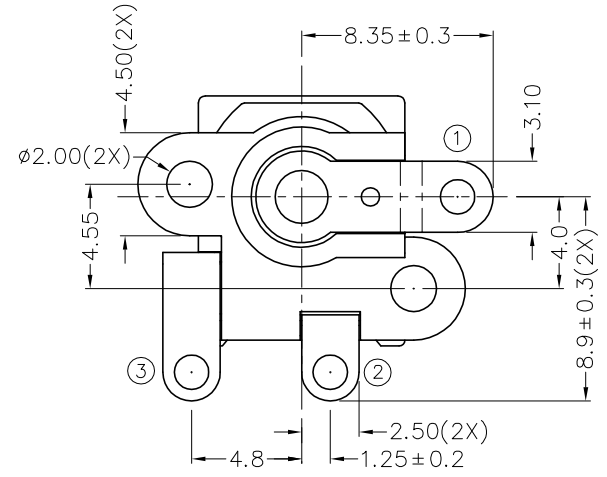
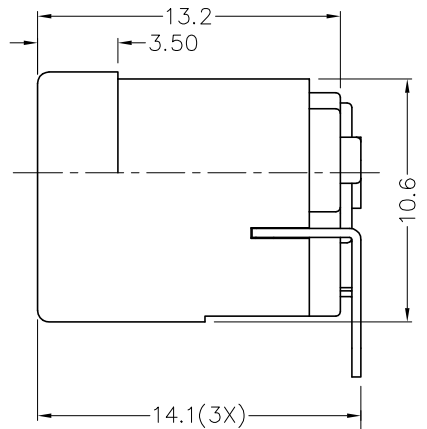
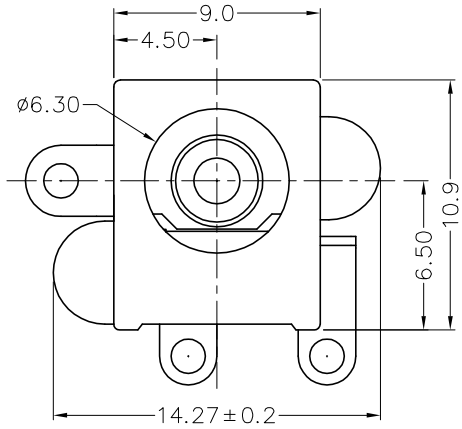
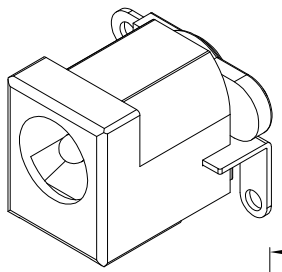
C

B

A

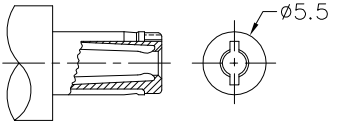
| ZONE | SYMBOL | REVISION | APPROVAL | DATE |
|------|--------|----------|----------|------|
|      |        |          |          |      |
|      |        |          |          |      |
|      |        |          |          |      |

RoHS  
Compliant



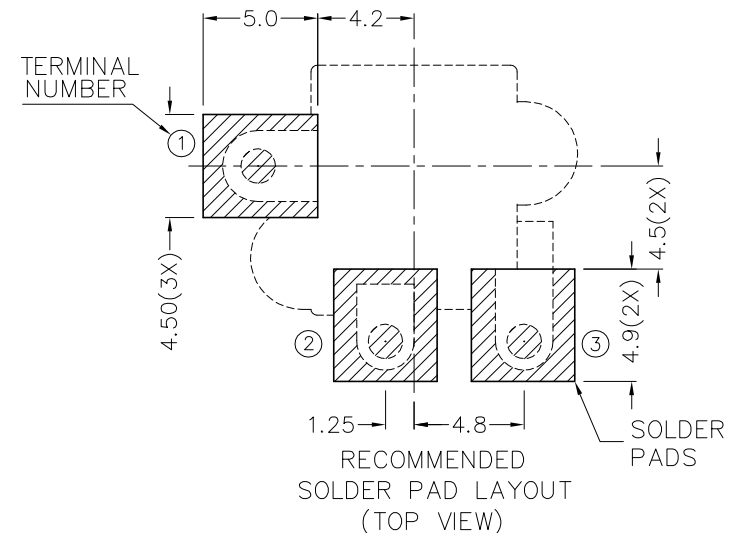
\* MATERIAL

- CENTRE PIN : BRASS
- TERMINAL 1 : BRASS
- TERMINAL 2 : COPPER ALLOY
- TERMINAL 3 : BRASS
- HOUSING : PA6T
- COVER : PA6T



DC MATE PLUG

|            |            |
|------------|------------|
| MODEL NO.  | TDC-034DH2 |
| SCHEMATIC  |            |
| CENTER PIN | ø2mm       |
|            | ø2.5mm     |



**CHAMPWAY** 冠泰電子有限公司  
CHAMPWAY ELECTRONICS CO., LTD.

|          |        |      |           |          |                    |
|----------|--------|------|-----------|----------|--------------------|
| DESIGN   | G.P.YI | DATE | 28-3-2008 | SCALE    | 3:1                |
| DRAWING  | G.P.YI | DATE | 8-9-2010  | MATERIAL | *                  |
| CHECK    |        | DATE |           | DWG. NO. | TZ\DC034DH2-PA6T/A |
| APPROVAL |        | DATE |           | SHEET    |                    |

|           |                                  |                      |                        |       |
|-----------|----------------------------------|----------------------|------------------------|-------|
| PART NAME | HIGH CURRENT SMD DC POWER SOCKET | TOLERANCE UNLESS     | 0.0±0.2                | UNIT: |
| PART NO.  | TDC-034DH2                       | OTHERWISE SPECIFIED: | 0.00±0.1<br>0.000±0.05 |       |

F

E

D

C

B

A