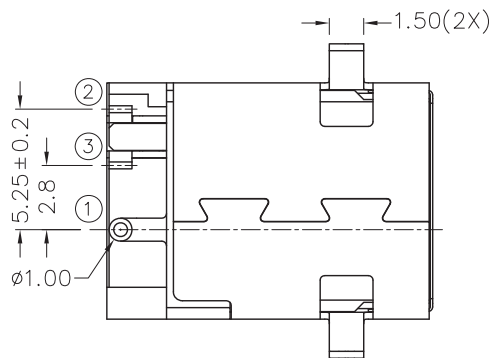
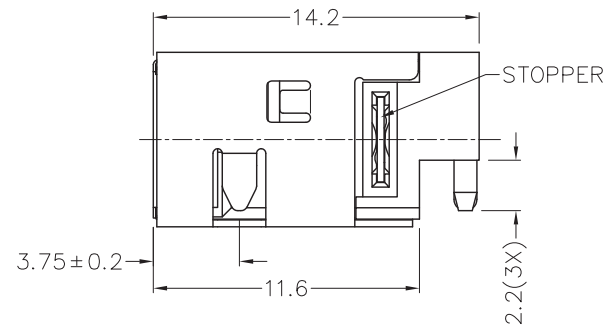
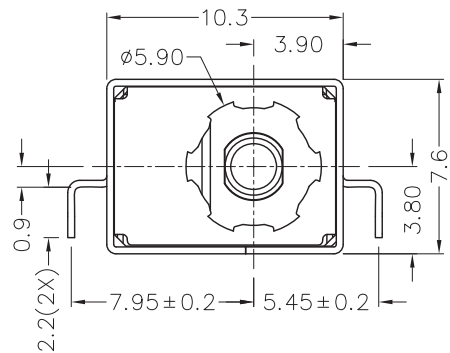
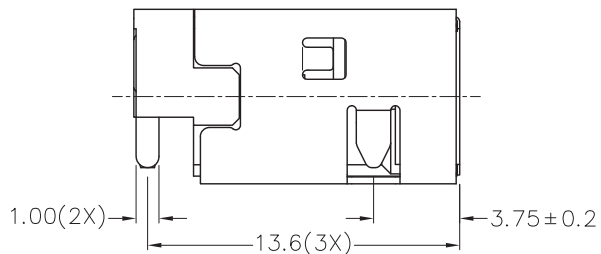
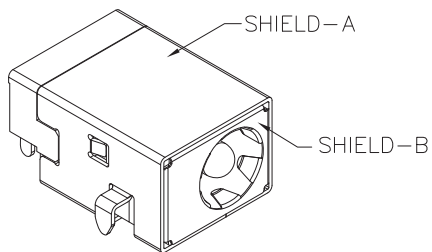


RoHS
Compliant

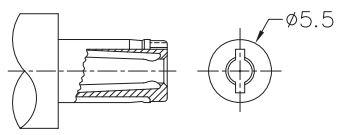
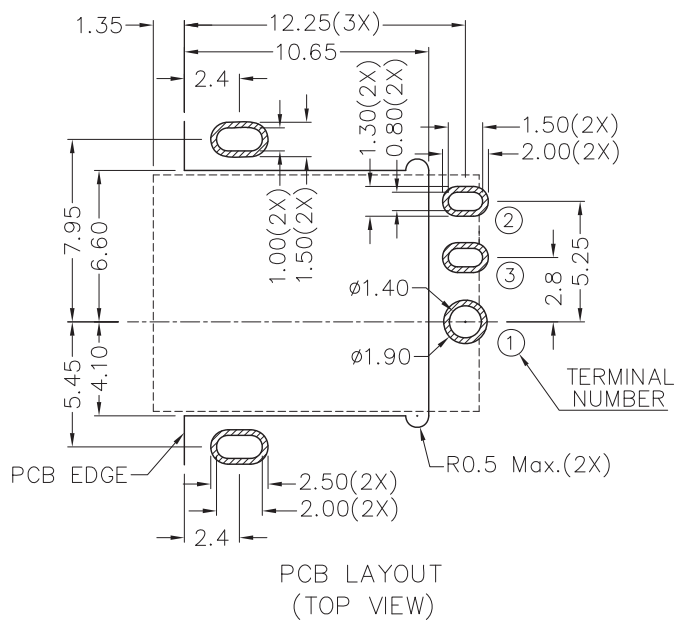
ZONE	SYMBOL	REVISION	APPROVAL	DATE



* MATERIAL

- TERMINAL 1 : BRASS
- TERMINAL 2 : COPPER ALLOY
- TERMINAL 3 : BRASS
- SHIELD-A : BRASS
- SHIELD-B : STAINLESS STEEL
- STOPPER : C.R.STEEL
- HOUSING : PA6T

MODEL NO.	TDC-099DHS
SCHEMATIC	1 3 2
CENTER PIN	ø2mm
	ø2.5mm



DC MATE PLUG

CHAMPWAY 冠泰電子有限公司
CHAMPWAY ELECTRONICS CO., LTD.

DESIGN	Y.J.HUANG	DATE	13-12-2011	SCALE	3:1
DRAWING	Y.J.HUANG	DATE	13-12-2011	MATERIAL	*
CHECK		DATE		DWG. NO.	TZ\DC099DHS-PA6T/A
APPROVAL		DATE		SHEET	

PART NAME	HIGH CURRENT SMD DC POWER SOCKET	TOLERANCE UNLESS	0.0±0.2	UNIT:	
PART NO.	TDC-099DHS	OTHERWISE SPECIFIED:	0.00±0.1 0.000±0.05		

F E D C B A