

F

E

D

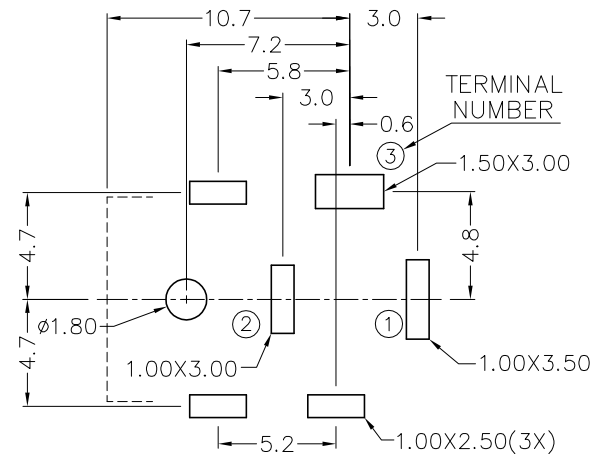
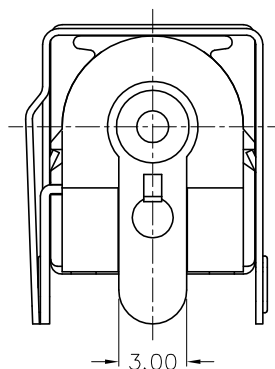
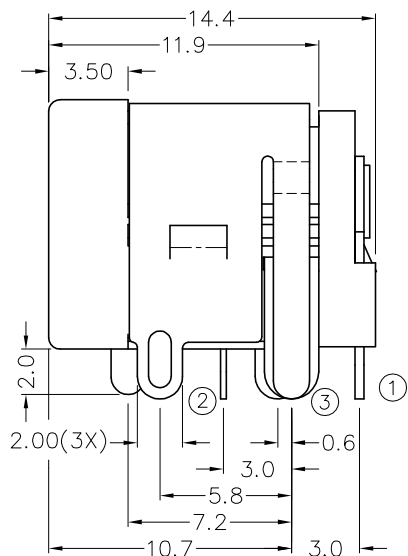
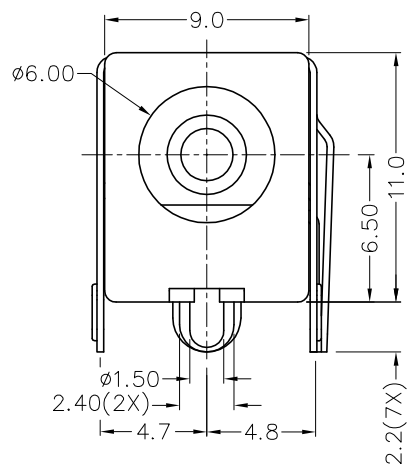
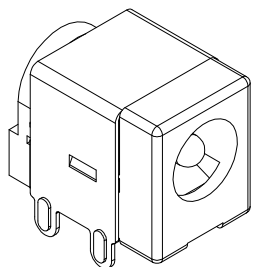
C

B

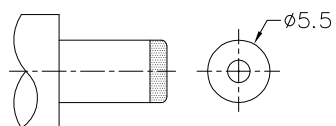
A

ZONE	SYMBOL	REVISION	APPROVAL	DATE
		ADD MATE PLUG	J.X.KUANG	29-9-2006

RoHS
Compliant



PCB LAYOUT
(BOTTOM VIEW)



DC MATE PLUG

MODEL NO.	TDC-047S
SCHEMATIC	
CENTER PIN	ø1.65mm
	ø2mm
	ø2.35mm
	ø2.5mm

* MATERIAL

CENTRE PIN : COPPER
 TERMINAL 1 : BRASS
 TERMINAL 2 : COPPER ALLOY
 TERMINAL 3 : BRASS
 SHIELD : BRASS
 HOUSING : PBT
 COVER : PBT



CHAMPWAY 冠泰電子有限公司
 CHAMPWAY ELECTRONICS CO., LTD.

DESIGN	J.JIANG	DATE	22-12-2004	SCALE	3:1
DRAWING	L.L.ZHANG	DATE	29-9-2006	MATERIAL	*
PART NAME	DC POWER SOCKET	TOLERANCE UNLESS	0.0±0.2	CHECK	
PART NO.	TDC-047S	OTHERWISE SPECIFIED:	0.00±0.1 0.000±0.05	DATE	
		UNIT:	mm	DATE	
				DWG. NO.	TZ\DC047S-PBT/C
				SHEET	

F

E

D

C

B

A

DCF-04/A