

F

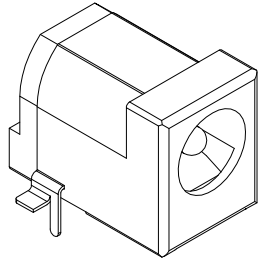
E

D

C

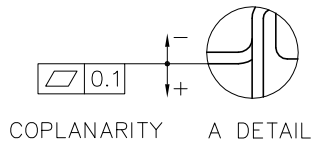
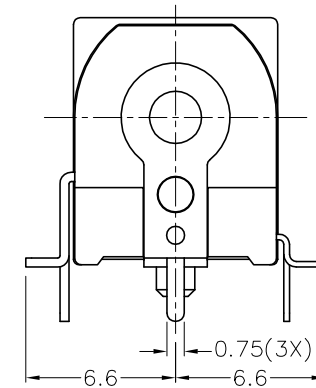
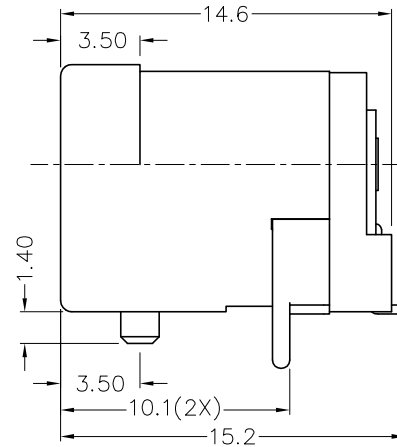
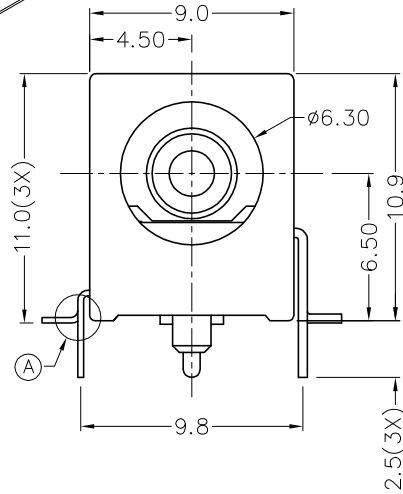
B

A



RoHS
Compliant

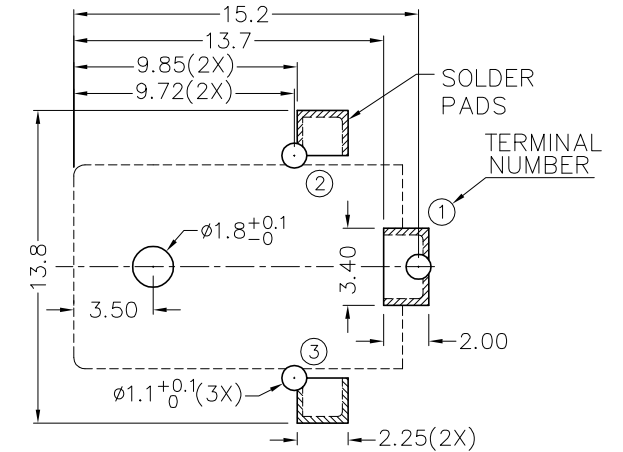
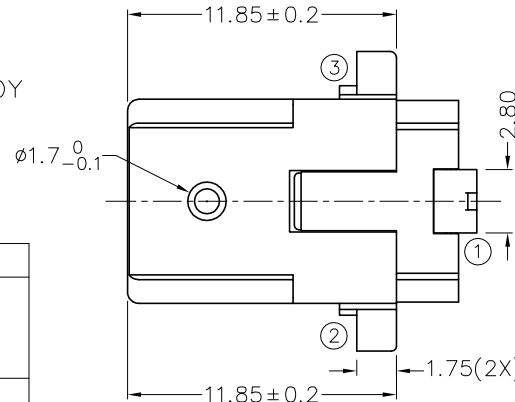
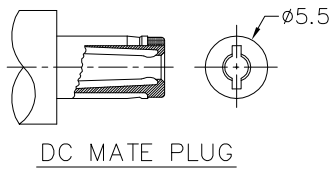
ZONE	SYMBOL	REVISION	APPROVAL	DATE



* MATERIAL

CENTRE PIN : COPPER
 TERMINAL 1 : BRASS
 TERMINAL 2 : COPPER ALLOY
 TERMINAL 3 : BRASS
 HOUSING : PA6T
 COVER : PA6T

MODEL NO.	TDC-080DH
SCHEMATIC	
CENTER PIN	ø2mm
	ø2.5mm



PCB LAYOUT
(TOP VIEW)



CHAMPWAY 冠泰電子有限公司
 CHAMPWAY ELECTRONICS CO., LTD.

DESIGN	X.N.ZHENG	DATE	28-10-2008	SCALE	3:1
DRAWING	T.Y.LI	DATE	24-6-2009	MATERIAL	*
CHECK		DATE		DWG. NO.	TZ\DC080DH-PA6T/A
APPROVAL		DATE		SHEET	

PART NAME	HIGH CURRENT SMD DC POWER SOCKET	TOLERANCE UNLESS	0.0±0.2	UNIT:
PART NO.	TDC-080DH	OTHERWISE SPECIFIED:	0.00±0.1 0.000±0.05	

F

E

D

C

B

A