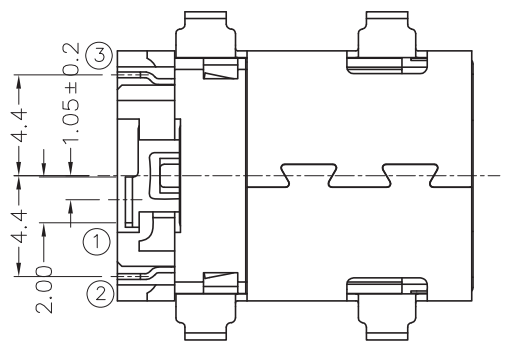
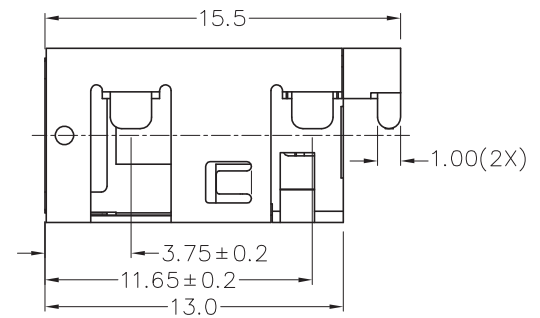
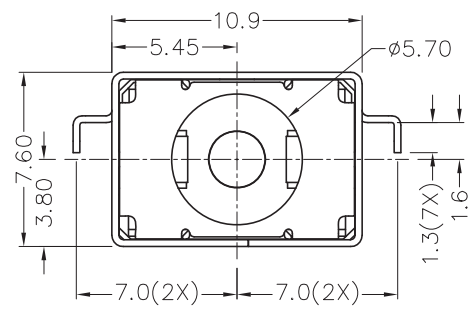
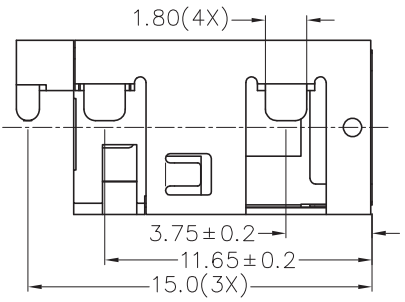
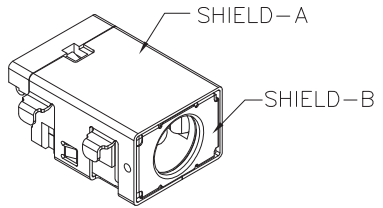


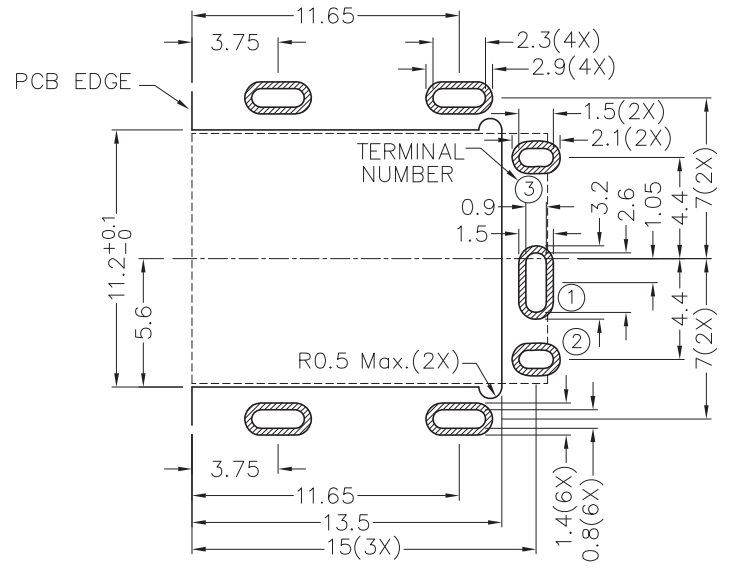
RoHS
Compliant

ZONE	SYMBOL	REVISION	APPROVAL	DATE

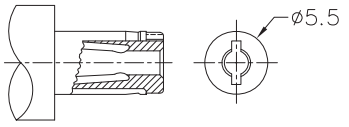


* MATERIAL

- TERMINAL 1 : BRASS
- TERMINAL 2 : COPPER ALLOY
- TERMINAL 3 : COPPER ALLOY
- SHIELD-A : BRASS
- SHIELD-B : STAINLESS STEEL
- HOUSING : PA10T



RECOMMENDED PCB LAYOUT
TOLERANCE: ±0.05
(TOP VIEW)



DC MATE PLUG

MODEL NO.	TDC-111DHS
SCHEMATIC	
CENTER PIN	∅2.5mm

CHAMPWAY 冠泰電子有限公司
CHAMPWAY ELECTRONICS CO., LTD.

DESIGN	G.P.YI	DATE	19-4-2013	SCALE	3:1
DRAWING	H.L.TAN	DATE	10-9-2013	MATERIAL	*
CHECK		DATE		DWG. NO.	TZ\DC111DHS-PA10T/A
APPROVAL		DATE		SHEET	

PART NAME	HIGH CURRENT SMD DC POWER SOCKET	TOLERANCE UNLESS	0.0±0.2	UNIT:
PART NO.	TDC-111DHS	OTHERWISE SPECIFIED:	0.00±0.1 0.000±0.05	

F E D C B A