

F

E

D

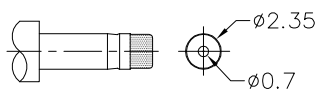
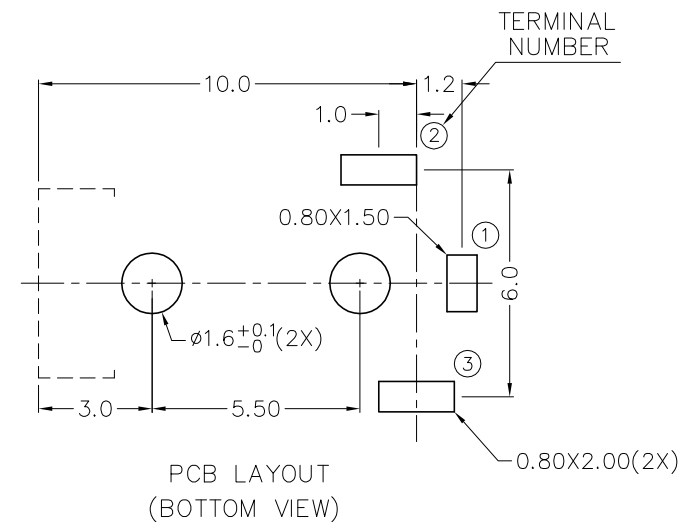
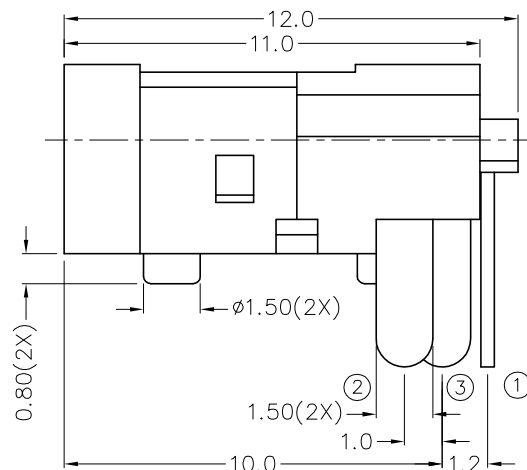
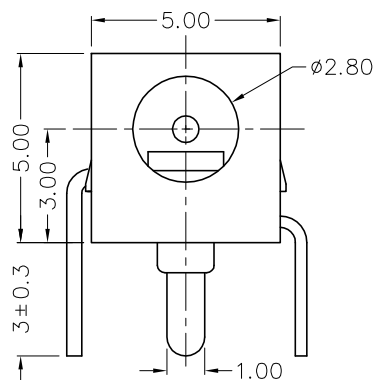
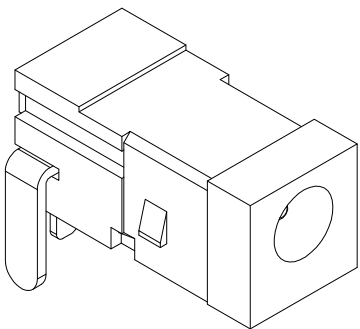
C

B

A

ZONE	SYMBOL	REVISION	APPROVAL	DATE
		ADD MATE PLUG	J.X.KUANG	11-7-2006

RoHS
Compliant



DC MATE PLUG

MODEL NO.	TDC-027
SCHEMATIC	
CENTER PIN	φ0.65mm

* MATERIAL

TERMINAL 1 : BRASS
 TERMINAL 2 : COPPER ALLOY
 TERMINAL 3 : BRASS
 HOUSING : PA66



CHAMPWAY 冠泰電子有限公司
 CHAMPWAY ELECTRONICS CO., LTD.

DESIGN	T.Y.LI	DATE	10-10-2003	SCALE	5:1
DRAWING	T.Y.LI	DATE	11-7-2006	MATERIAL	*
CHECK		DATE		DWG. NO.	TZ\DC027-PA66/B
APPROVAL		DATE		SHEET	

PART NAME	DC POWER SOCKET	TOLERANCE UNLESS	0.0±0.2	UNIT:	
PART NO.	TDC-027	OTHERWISE SPECIFIED:	0.00±0.1 0.000±0.05	mm	

F

E

D

C

B

A

DCF-04/A