

F

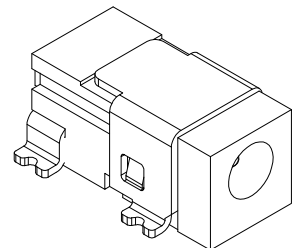
E

D

C

B

A

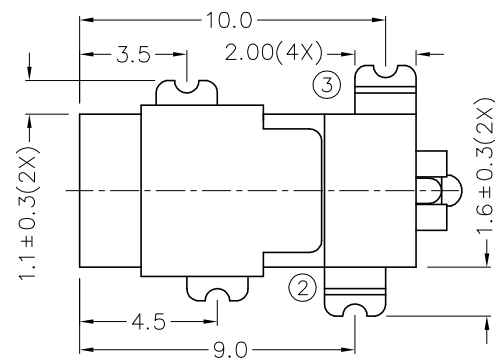


RoHS
Compliant

ZONE	SYMBOL	REVISION	APPROVAL	DATE
		ADDED INDICATION OF COPLANARITY	J.X.KUANG	20-2-2009

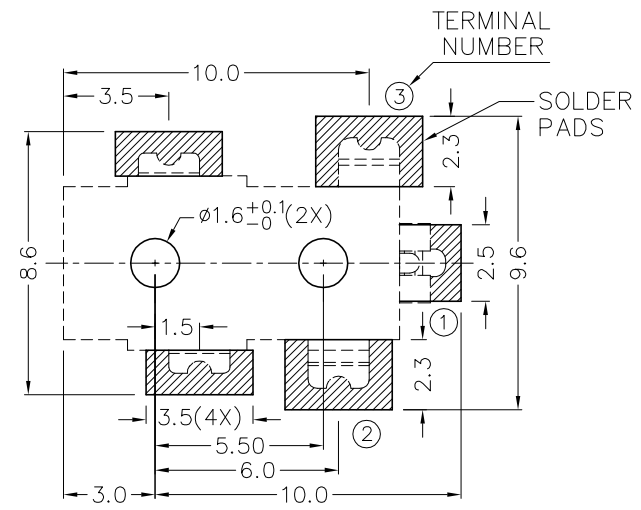
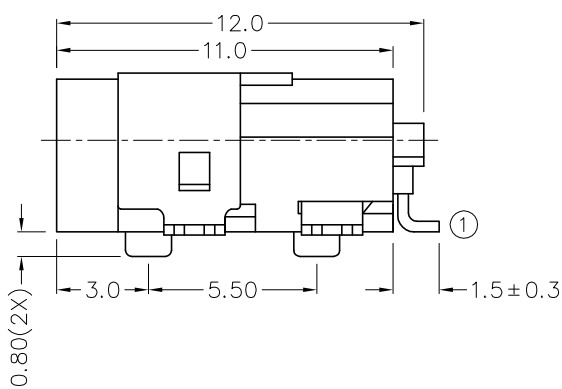
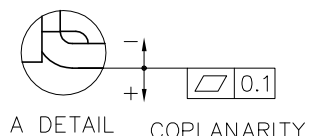
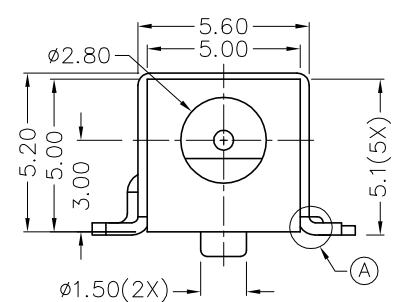
1

1



2

2

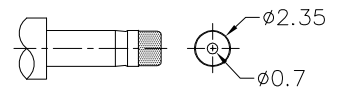


3

3

MODEL NO.	TDC-032H
SCHEMATIC	
CENTER PIN	∅0.65mm

* MATERIAL
 TERMINAL 1 : BRASS
 TERMINAL 2 : COPPER ALLOY
 TERMINAL 3 : BRASS
 SHIELD : COLD ROLLED STEEL
 HOUSING : PA6T



DC MATE PLUG

4

4

CHAMPWAY 冠泰電子有限公司
 CHAMPWAY ELECTRONICS CO., LTD.

DESIGN	J.X.KUANG	DATE	10-10-2003	SCALE	4:1
DRAWING	T.Y.LI	DATE	20-2-2009	MATERIAL	*
CHECK		DATE		DWG. NO.	TZ\DC032H-PA6T/C
APPROVAL		DATE		SHEET	

PART NAME	HIGH CURRENT SMD DC POWER SOCKET	TOLERANCE UNLESS	0.0±0.2	UNIT:
PART NO.	TDC-032H	OTHERWISE SPECIFIED:	0.00±0.1 0.000±0.05	

F

E

D

C

B

A