

F

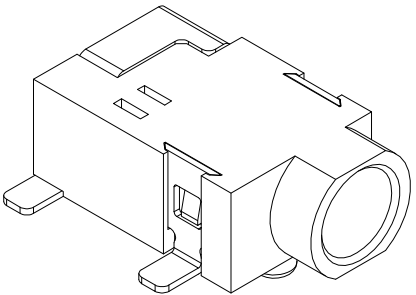
E

D

C

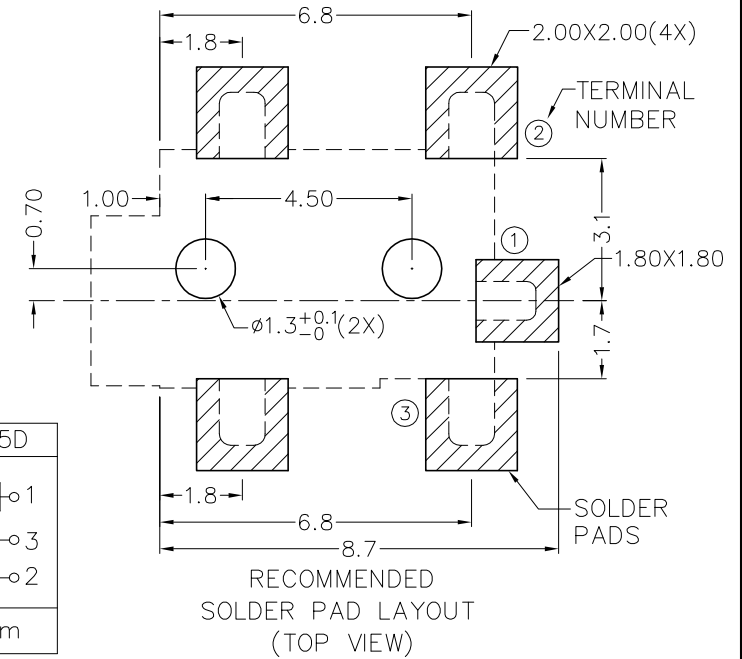
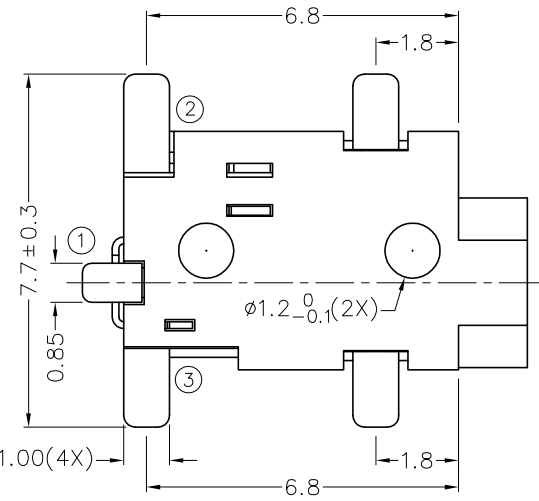
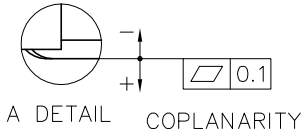
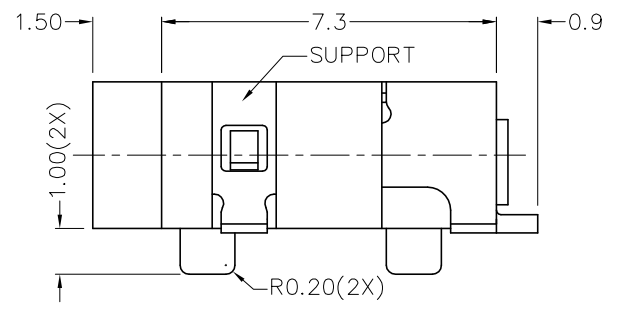
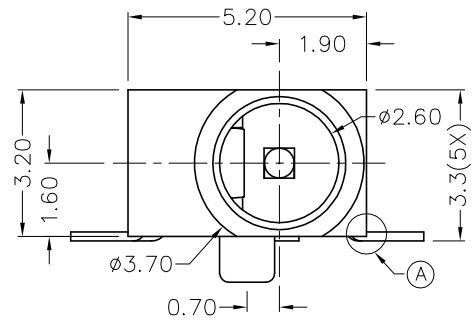
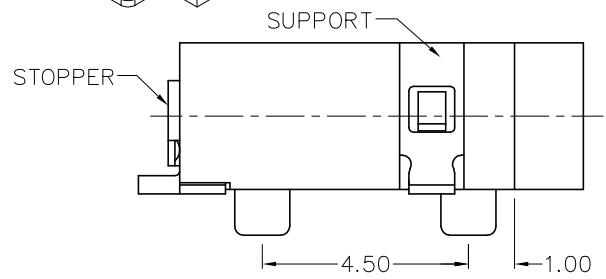
B

A



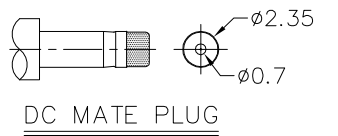
RoHS
Compliant

ZONE	SYMBOL	REVISION	APPROVAL	DATE
		ADDED INDICATION OF COPLANARITY	J.X.KUANG	29-4-2010



- * MATERIAL
- TERMINAL 1 : BRASS
 - TERMINAL 2 : COPPER ALLOY
 - TERMINAL 3 : BRASS
 - SUPPORT : BRASS
 - STOPPER : STAINLESS STEEL
 - HOUSING : PA6T

MODEL NO.	TDC-065D
SCHEMATIC	
CENTER PIN	∅0.65mm



CHAMPWAY 冠泰電子有限公司
CHAMPWAY ELECTRONICS CO., LTD.

DESIGN	T.Y.LI	DATE	28-2-2006	SCALE	6:1
DRAWING	T.Y.LI	DATE	29-4-2010	MATERIAL	*
CHECK		DATE		DWG. NO.	TZ\PC065D-PA6T/B
APPROVAL		DATE		SHEET	

PART NAME	SMD DC POWER SOCKET	TOLERANCE UNLESS	0.0±0.2	UNIT:	
PART NO.	TDC-065D	OTHERWISE SPECIFIED:	0.00±0.1 0.000±0.05	mm	

F

E

D

C

B

A