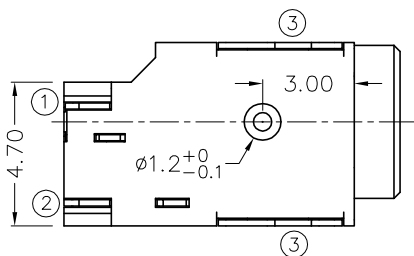
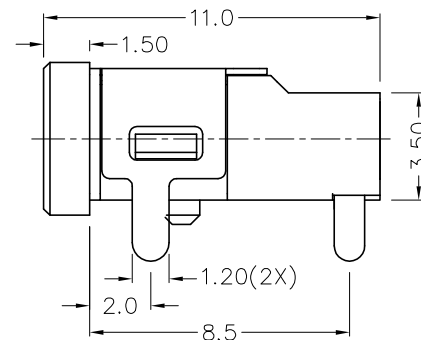
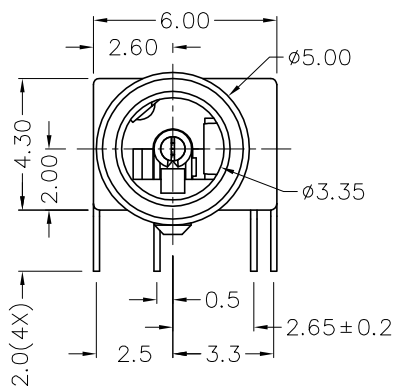
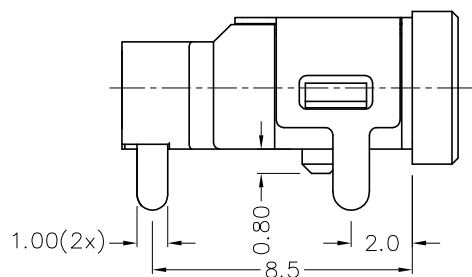


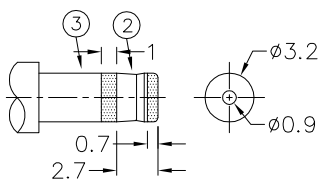
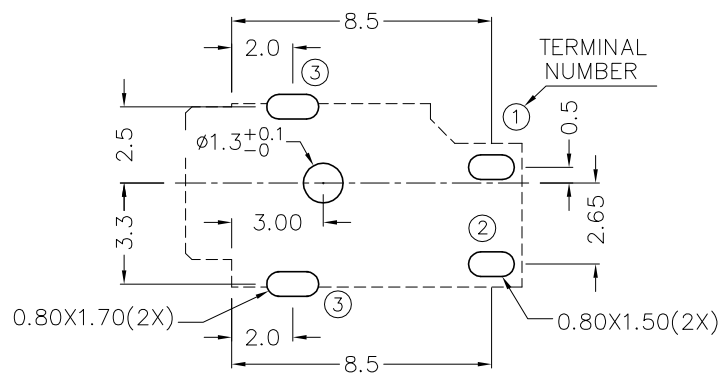
RoHS
Compliant

ZONE	SYMBOL	REVISION	APPROVAL	DATE



* MATERIAL

TERMINAL 1 : BRASS
 TERMINAL 2 : COPPER ALLOY
 TERMINAL 3 : COPPER ALLOY
 HOUSING : PA66



DC MATE PLUG

MODEL NO.	TDC-043
SCHEMATIC	
CENTER PIN	ø0.8mm

PCB LAYOUT
(TOP VIEW)

CHAMPWAY 冠泰電子有限公司
 CHAMPWAY ELECTRONICS CO., LTD.

DESIGN	G.P.YI	DATE	20-9-2010	SCALE	4:1
DRAWING	G.P.YI	DATE	23-9-2010	MATERIAL	*
CHECK		DATE		DWG. NO.	TZ\DC043-PA66/A
APPROVAL		DATE		SHEET	

PART NAME	DC POWER SOCKET	TOLERANCE UNLESS	0.0±0.2	UNIT:	
PART NO.	TDC-043	OTHERWISE SPECIFIED:	0.00±0.1 0.000±0.05	mm	

F E D C B A