

F

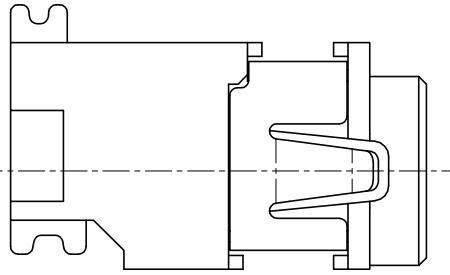
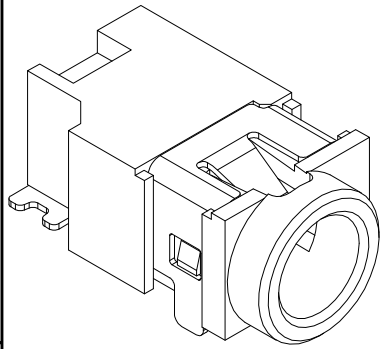
E

D

C

B

A



RoHS
Compliant

ZONE	SYMBOL	REVISION	APPROVAL	DATE

1

1

2

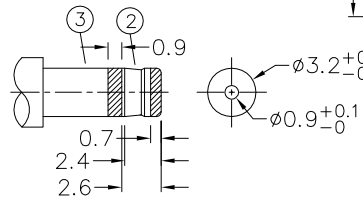
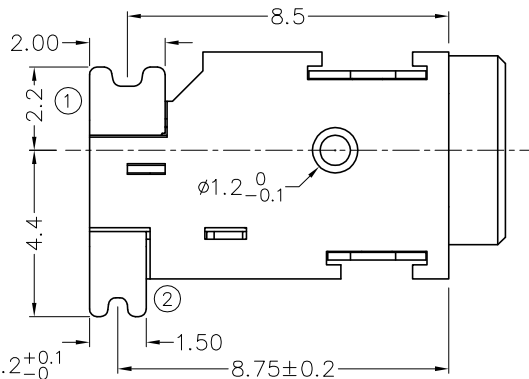
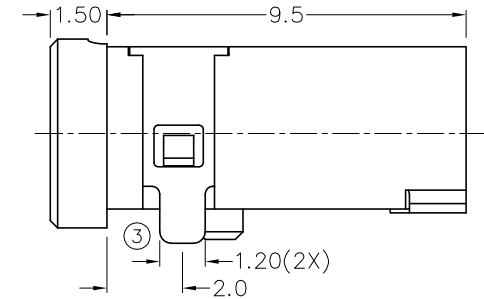
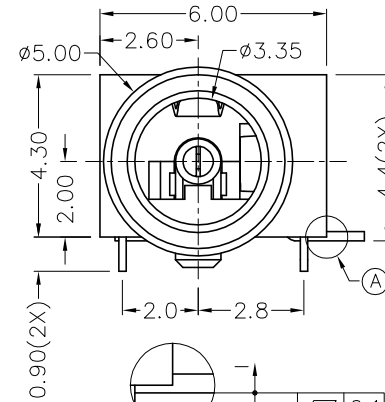
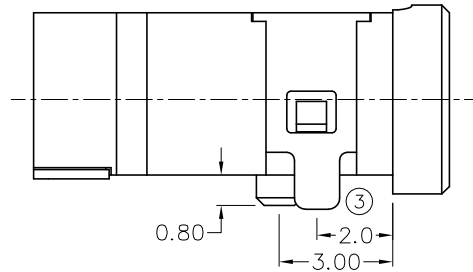
2

3

3

4

4



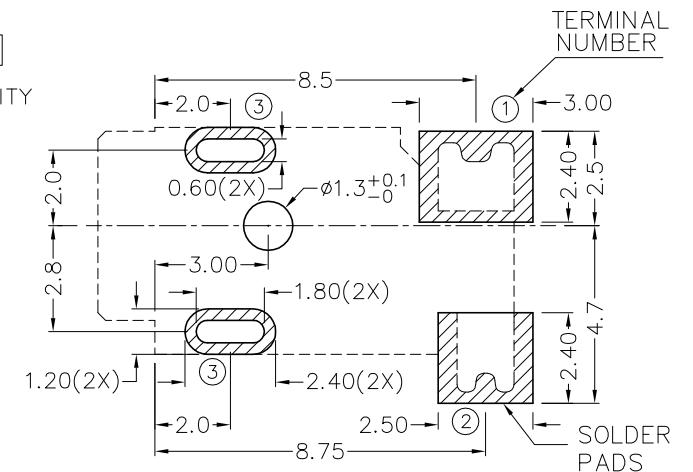
DC MATE PLUG

A DETAIL COPLANARITY

* MATERIAL

TERMINAL 1 : BRASS
 TERMINAL 2 : COPPER ALLOY
 TERMINAL 3 : COPPER ALLOY
 HOUSING : PA6T

MODEL NO.	TDC-072D
SCHEMATIC	
CENTER PIN	ø0.8mm



RECOMMENDED
SOLDER PAD LAYOUT



CHAMPWAY 冠泰電子有限公司
CHAMPWAY ELECTRONICS CO., LTD.

DESIGN	G.P.YI	DATE	24-8-2007	SCALE	5:1
DRAWING	T.Y.LI	DATE	13-3-2009	MATERIAL	*
CHECK		DATE		DWG. NO.	TZ\DC072D-PA6T/A
APPROVAL		DATE		SHEET	

PART NAME	SMD DC POWER SOCKET	TOLERANCE UNLESS	0.0±0.15	UNIT:	
PART NO.	TDC-072D	OTHERWISE SPECIFIED:	0.00±0.1 0.000±0.05	mm	

F

E

D

C

B

A