

F

E

D

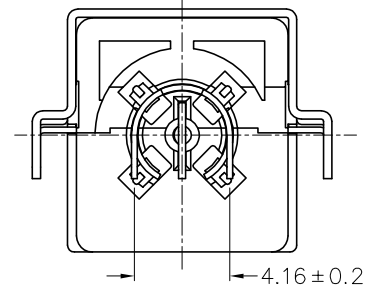
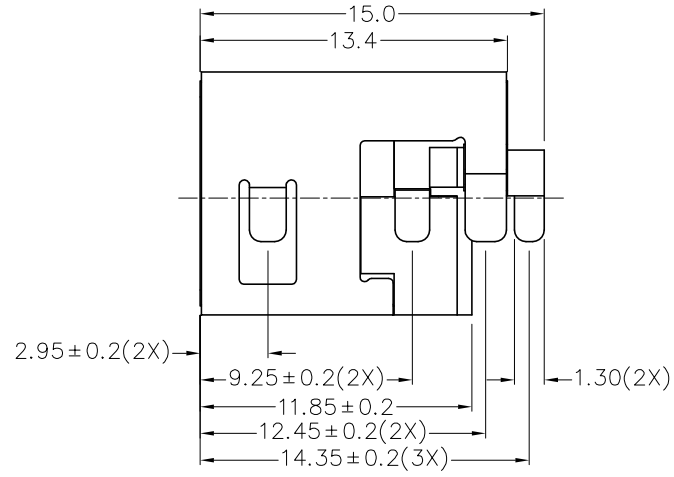
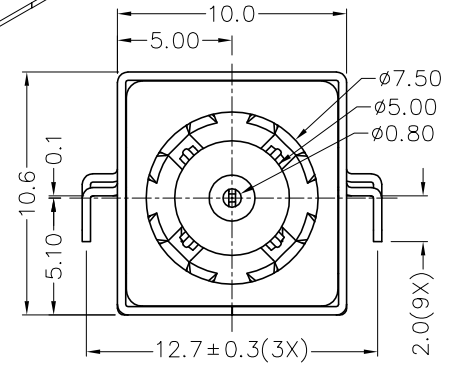
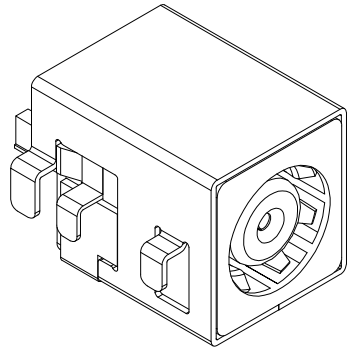
C

B

A

RoHS  
Compliant

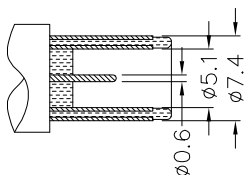
ZONE	SYMBOL	REVISION	APPROVAL	DATE



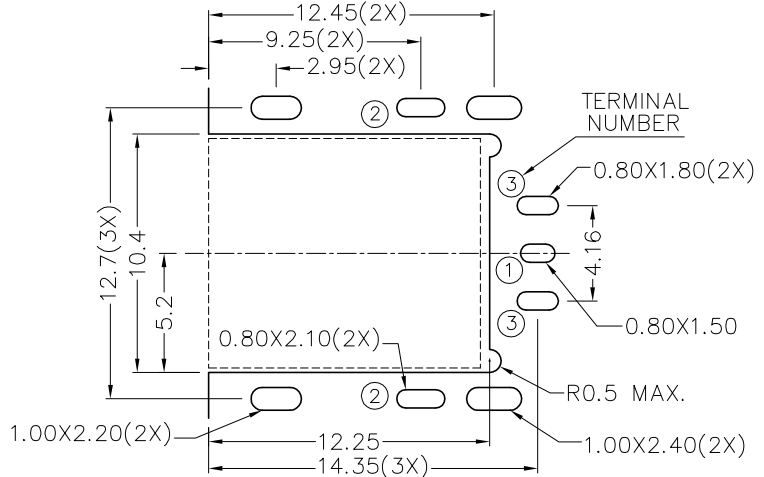
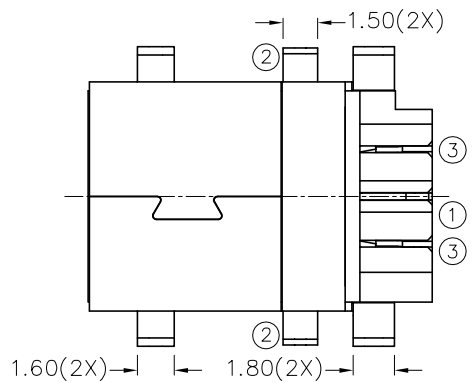
\* MATERIAL

- TERMINAL 1 : COPPER ALLOY
- TERMINAL 2 : COPPER ALLOY
- TERMINAL 3 : COPPER ALLOY
- SHIELD : BRASS
- HOUSING : PA6T
- COVER : PA6T

MODEL NO.	TDC-089DHS
SCHEMATIC	3(V+)
	1(S)
	2(V-)



DC MATE PLUG



PCB LAYOUT  
(TOP VIEW)

**CHAMPWAY 冠泰电子有限公司**  
CHAMPWAY ELECTRONICS CO., LTD.

DESIGN	G.P. YI	DATE	18-11-2010	SCALE	3:1
DRAWING	G.P. YI	DATE	18-11-2010	MATERIAL	*
CHECK		DATE		DWG. NO.	TZ\DC089DHS-PA6T/A
APPROVAL		DATE		SHEET	

PART NAME	HIGH CURRENT SMD DC POWER SOCKET	TOLERANCE UNLESS	0.0±0.2	UNIT:
PART NO.	TDC-089DHS	OTHERWISE SPECIFIED:	0.00±0.1 0.000±0.05	

F

E

D

C

B

A