

F

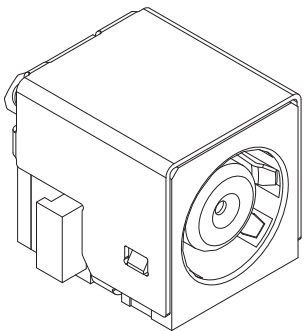
E

D

C

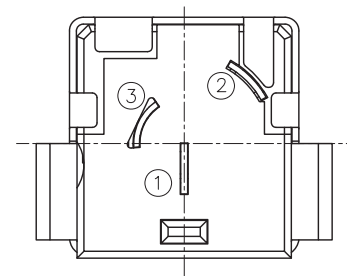
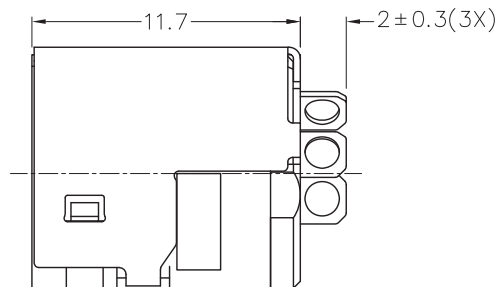
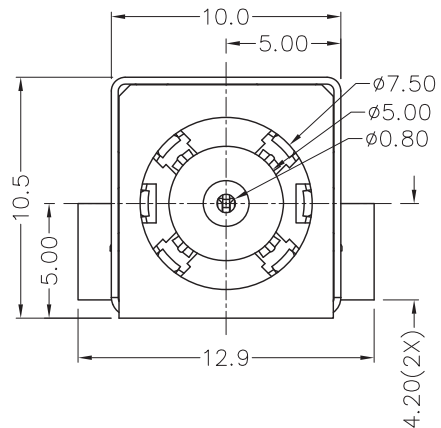
B

A



RoHS
Compliant

ZONE	SYMBOL	REVISION	APPROVAL	DATE



1

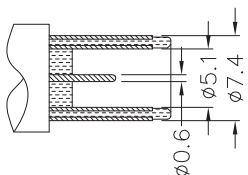
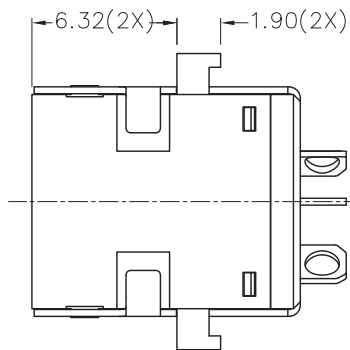
1

2

2

3

3



DC MATE PLUG

MODEL NO.	TDC-105HS
SCHEMATIC	3(V+)
	1(S)
	2(V-)

* MATERIAL

- TERMINAL 1 : COPPER ALLOY
- TERMINAL 2 : COPPER ALLOY
- TERMINAL 3 : COPPER ALLOY
- SHIELD : BRASS
- HOUSING : PA66
- COVER : PA66

4

4



PART NAME		HIGH CURRENT DC POWER SOCKET		TOLERANCE UNLESS 0.0±0.2		UNIT:	DESIGN	H.L.TAN	DATE	11-9-2012	SCALE	3:1
PART NO.		TDC-105HS		OTHERWISE SPECIFIED: 0.00±0.1				mm	DRAWING	H.L.TAN	DATE	19-11-2012
							CHECK		DATE		DWG. NO.	TZ\DC105HS-PA66/A
							APPROVAL		DATE		SHEET	A

F

E

D

C

B

A