

F

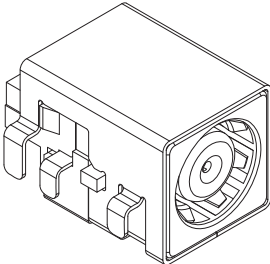
E

D

C

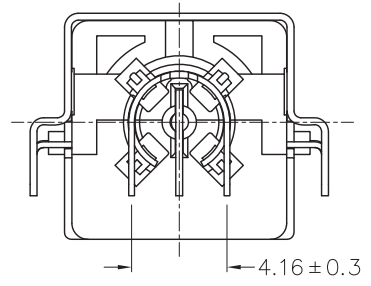
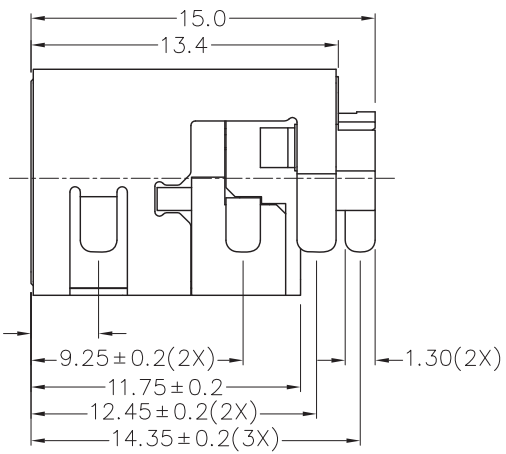
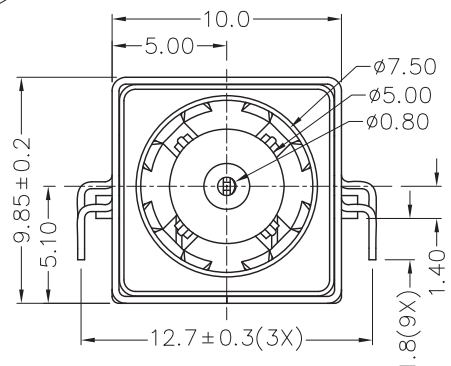
B

A



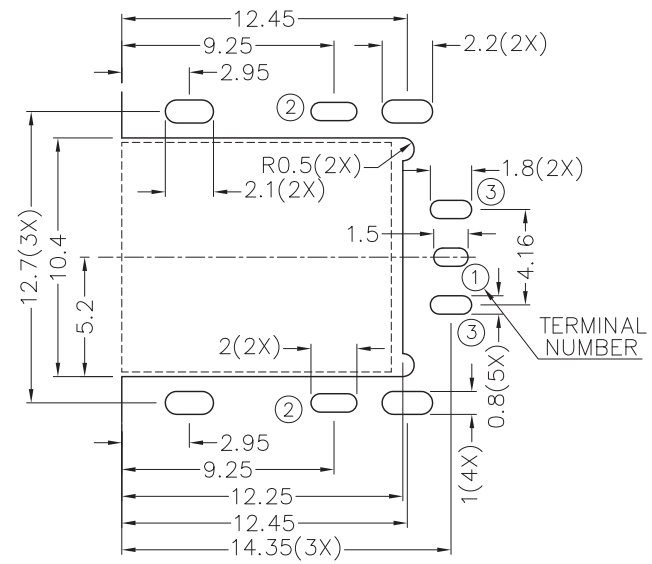
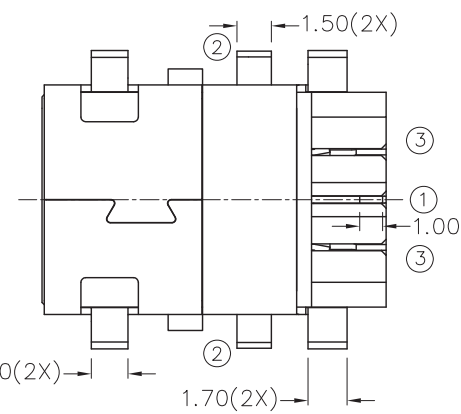
RoHS
Compliant

ZONE	SYMBOL	REVISION	APPROVAL	DATE

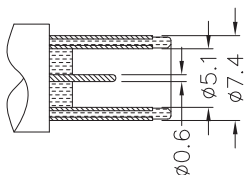


* MATERIAL

- TERMINAL 1 : COPPER ALLOY
- TERMINAL 2 : COPPER ALLOY
- TERMINAL 3 : COPPER ALLOY
- SHIELD : BRASS
- HOUSING : PA10T
- COVER : PA10T



RECOMMENDED PCB LAYOUT
TOLERANCE: ±0.05
(TOP VIEW)



DC MATE PLUG

MODEL NO.	TDC-106DHS
SCHEMATIC	3(V+)
	1(S)
	2(V-)

CHAMPWAY 冠泰电子有限公司
CHAMPWAY ELECTRONICS CO., LTD.

DESIGN	G.P.YI	DATE	5-10-2012	SCALE	3:1
DRAWING	G.P.YI	DATE	21-11-2012	MATERIAL	*
CHECK		DATE		DWG. NO.	TZ/DC106DHS-PA10T/A
APPROVAL		DATE		SHEET	

PART NAME	HIGH CURRENT SMD DC POWER SOCKET	TOLERANCE UNLESS	0.0±0.2	UNIT:	
PART NO.	TDC-106DHS	OTHERWISE SPECIFIED:	0.00±0.1 0.000±0.05		

F

E

D

C

B

A