

F

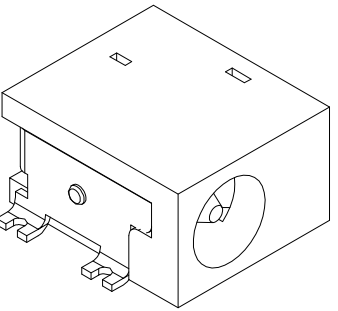
E

D

C

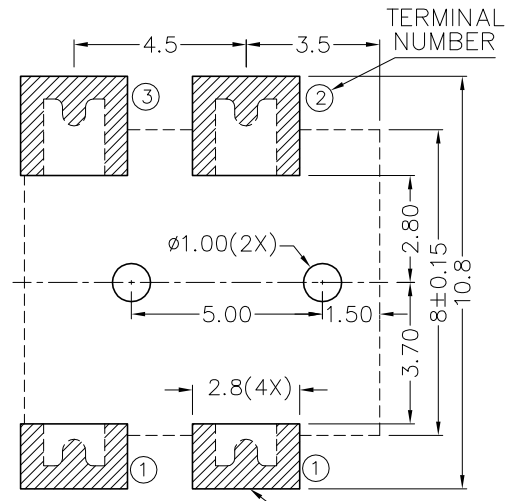
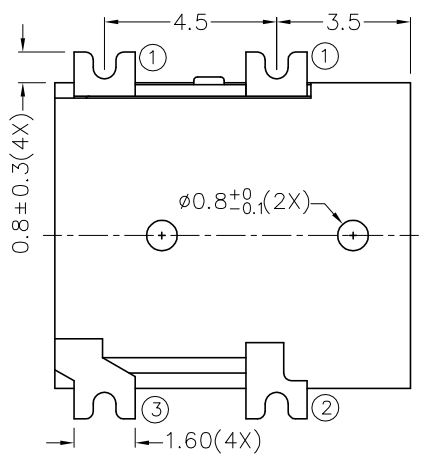
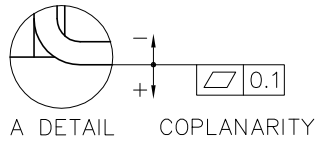
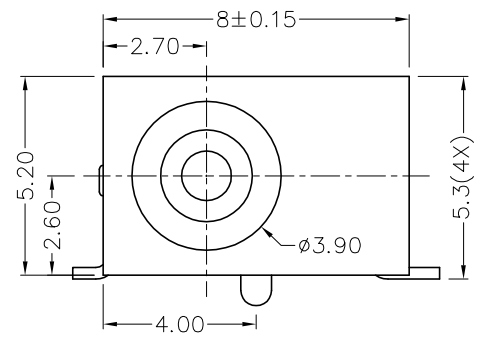
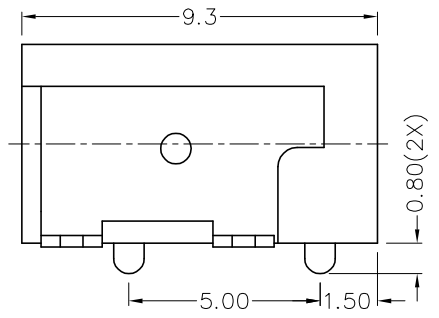
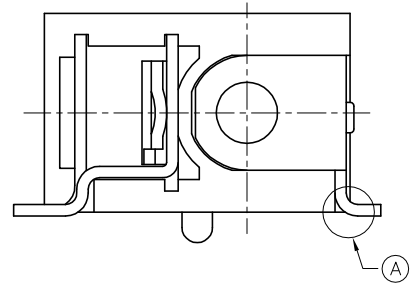
B

A



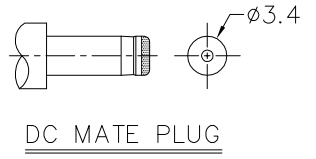
RoHS
Compliant

| ZONE | SYMBOL | REVISION | APPROVAL | DATE |
|------|--------|---------------------------------|-----------|----------|
| | | ADDED INDICATION OF COPLANARITY | J.X.KUANG | 8-1-2009 |
| | | | | |
| | | | | |



* MATERIAL:
 CENTRE PIN : COPPER
 TERMINAL 1 : BRASS
 TERMINAL 2 : COPPER ALLOY
 TERMINAL 3 : BRASS
 HOUSING : PA6T

| | |
|------------|----------|
| MODEL NO. | TDC-018H |
| SCHEMATIC | |
| CENTER PIN | ∅1mm |
| | ∅1.3mm |



DC MATE PLUG

CHAMPWAY 冠泰電子有限公司
 CHAMPWAY ELECTRONICS CO., LTD.

| | | | | | |
|----------|-----------|------|-----------|----------|------------------|
| DESIGN | L.L.ZHANG | DATE | 29-7-2005 | SCALE | 5:1 |
| DRAWING | T.Y.LI | DATE | 8-1-2009 | MATERIAL | * |
| CHECK | | DATE | | DWG. NO. | TZ\DC018H-PA6T/F |
| APPROVAL | | DATE | | SHEET | |

| | | | | | |
|-----------|----------------------------------|----------------------|------------------------|-------|--|
| PART NAME | HIGH CURRENT SMD DC POWER SOCKET | TOLERANCE UNLESS | 0.0±0.2 | UNIT: | |
| PART NO. | TDC-018H | OTHERWISE SPECIFIED: | 0.00±0.1 0.000±0.05 | | |

F

E

D

C

B

A