

F

E

D

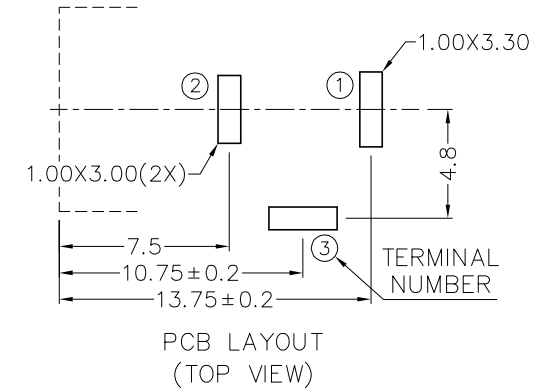
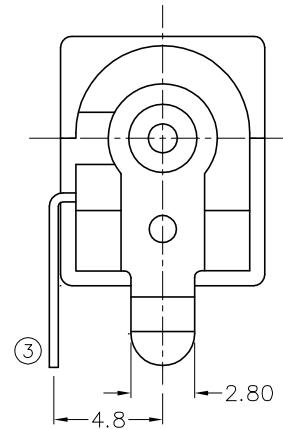
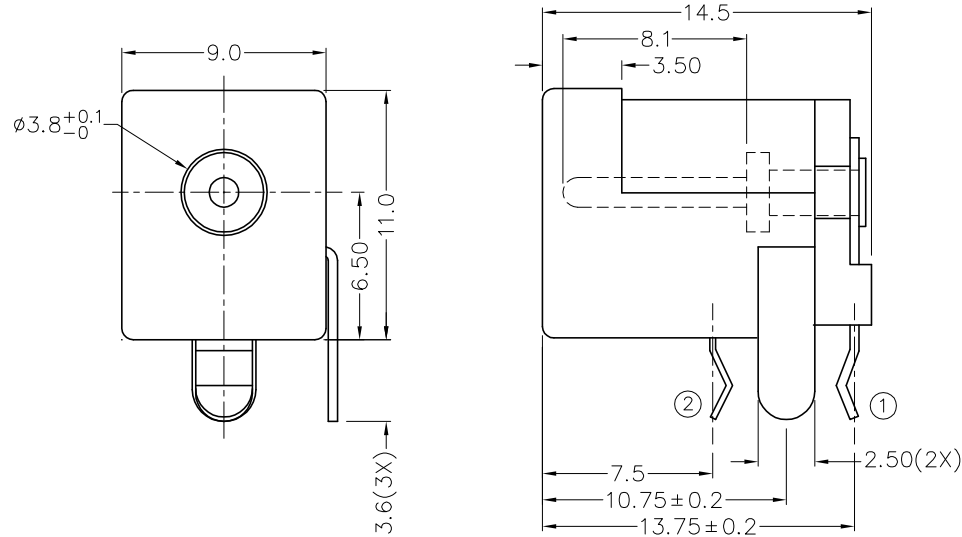
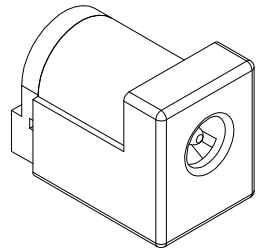
C

B

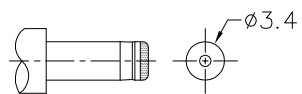
A

RoHS
Compliant

ZONE	SYMBOL	REVISION	APPROVAL	DATE



PCB LAYOUT
(TOP VIEW)



DC MATE PLUG

MODEL NO.	TDC-045-2
SCHEMATIC	
CENTER PIN	ø1mm
	ø1.3mm

* MATERIAL

CENTRE PIN : COPPER
 TERMINAL 1 : BRASS
 TERMINAL 2 : COPPER ALLOY
 TERMINAL 3 : BRASS
 HOUSING : PBT
 COVER : PBT



CHAMPWAY 冠泰電子有限公司
 CHAMPWAY ELECTRONICS CO., LTD.

DESIGN	T.Y.LI	DATE	19-5-2005	SCALE	3:1
DRAWING	T.Y.LI	DATE	18-7-2009	MATERIAL	*
PART NAME	DC POWER SOCKET	TOLERANCE UNLESS	0.0±0.2	CHECK	DATE
PART NO.	TDC-045-2	OTHERWISE SPECIFIED:	0.00±0.1 0.000±0.05	APPROVAL	DATE
UNIT:	mm	DWG. NO.	TZ\DC045-2-PBT/A	SHEET	

F

E

D

C

B

A