

F

E

D

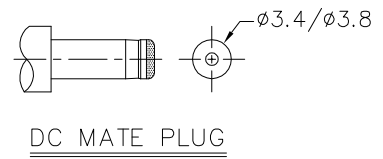
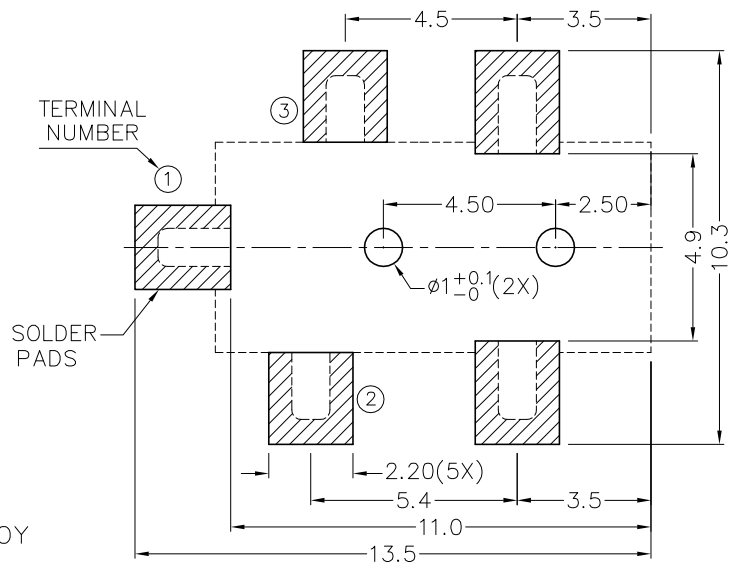
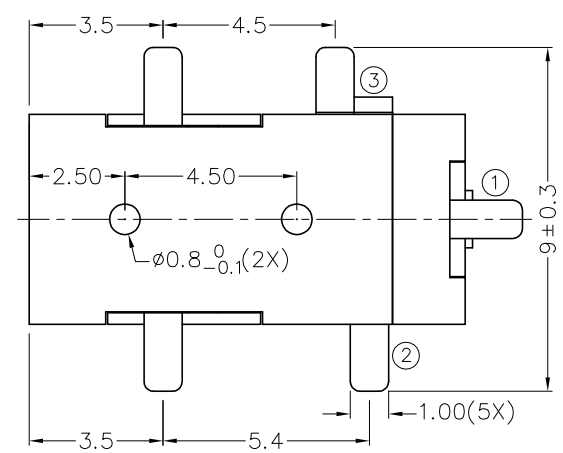
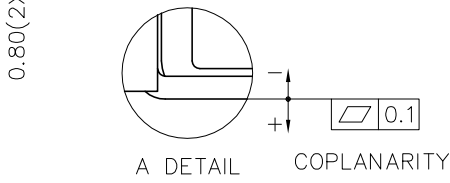
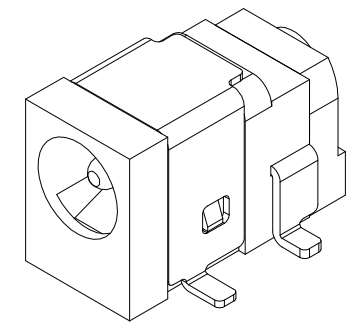
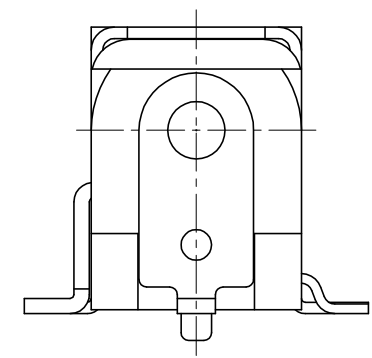
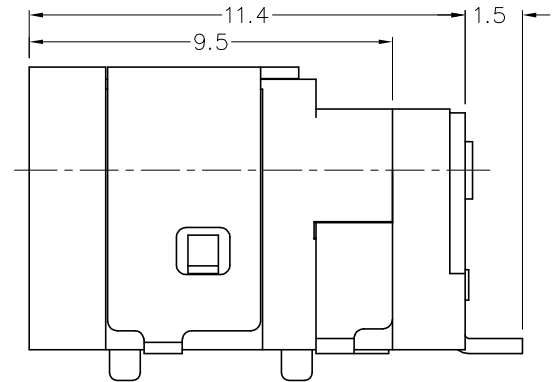
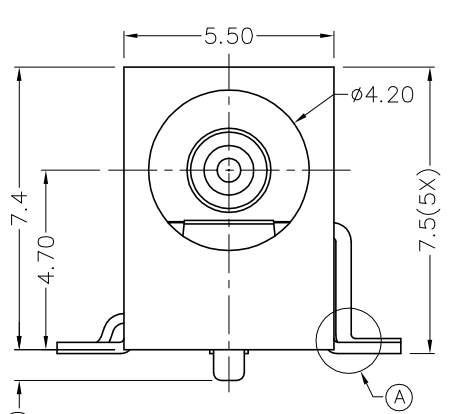
C

B

A

RoHS
Compliant

ZONE	SYMBOL	REVISION	APPROVAL	DATE
		ADDED INDICATION OF COPLANARITY	J.X.KUANG	23-2-2009



MODEL NO.	TDC-050DHS
SCHEMATIC	
CENTER PIN	ø1mm
	ø1.3mm

* MATERIAL
 CENTER PIN : COPPER
 TERMINAL 1 : BRASS
 TERMINAL 2 : COPPER ALLOY
 TERMINAL 3 : BRASS
 SHIELD : COLD ROLLED STEEL
 HOUSING : PA6T
 COVER : PA6T

CHAMPWAY 冠泰電子有限公司
 CHAMPWAY ELECTRONICS CO., LTD.

DESIGN	T.Y.LI	DATE	15-9-2003	SCALE	5:1
DRAWING	T.Y.LI	DATE	23-2-2009	MATERIAL	*

PART NAME	HIGH CURRENT SMD DC POWER SOCKET	TOLERANCE UNLESS	0.0±0.2	UNIT: mm	
PART NO.	TDC-050DHS	OTHERWISE SPECIFIED:	0.00±0.1 0.000±0.05		

CHECK		DATE		DWG. NO.	TZ\DC050DHS-PA6T/B
APPROVAL		DATE		SHEET	

F

E

D

C

B

A