

F

E

D

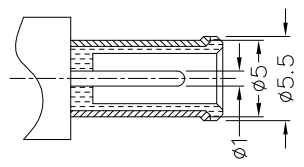
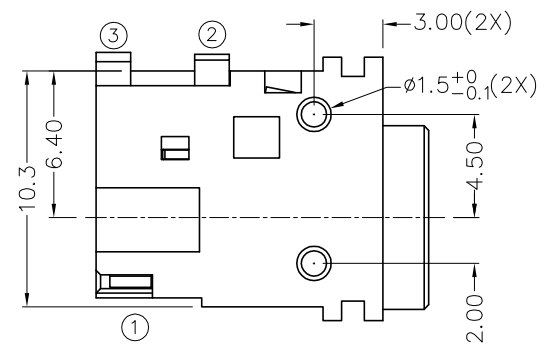
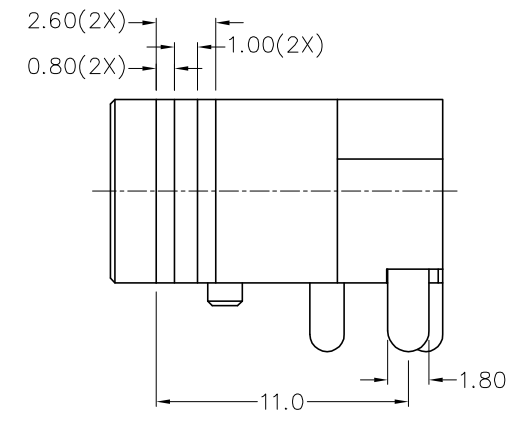
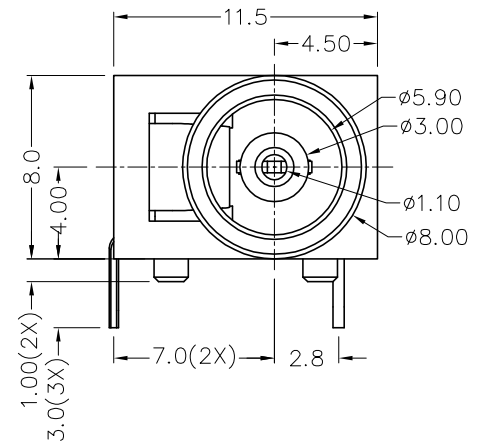
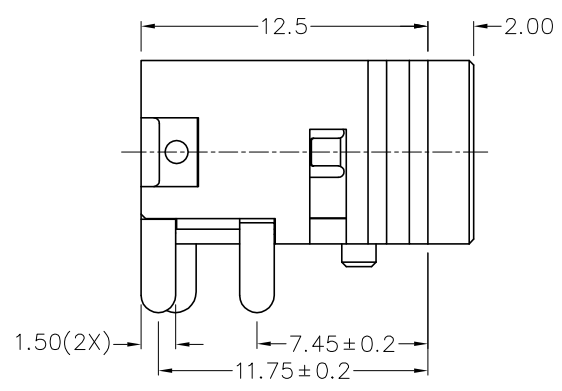
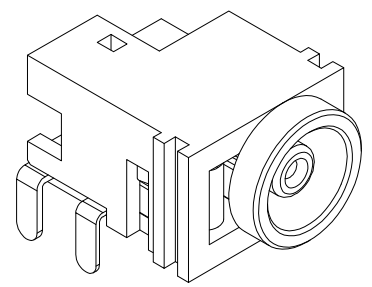
C

B

A

RoHS  
Compliant

ZONE	SYMBOL	REVISION	APPROVAL	DATE
		MODIFY PCB VIEW	J.X.KUANG	25-6-2010

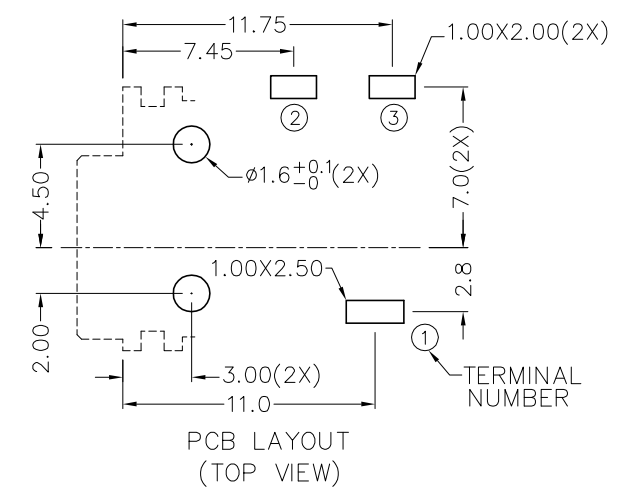


DC MATE PLUG

\* MATERIAL

- TERMINAL 1 : BRASS
- TERMINAL 2 : COPPER ALLOY
- TERMINAL 3 : BRASS
- HOUSING : PBT

MODEL NO.	TDC-076
SCHMATIC	



PCB LAYOUT  
(TOP VIEW)

**CHAMPWAY** 冠泰电子有限公司  
CHAMPWAY ELECTRONICS CO., LTD.

PART NAME	DC POWER SOCKET	TOLERANCE UNLESS	0.0±0.2	UNIT:
PART NO.	TDC-076	OTHERWISE SPECIFIED:	0.00±0.1 0.000±0.05	

DESIGN	X.N.ZHENG	DATE	2-9-2008	SCALE	3:1
DRAWING	T.Y.LI	DATE	25-6-2010	MATERIAL	*
CHECK		DATE		DWG. NO.	TZ\DC076-PBT/B
APPROVAL		DATE		SHEET	

F

E

D

C

B

A