

F

E

D

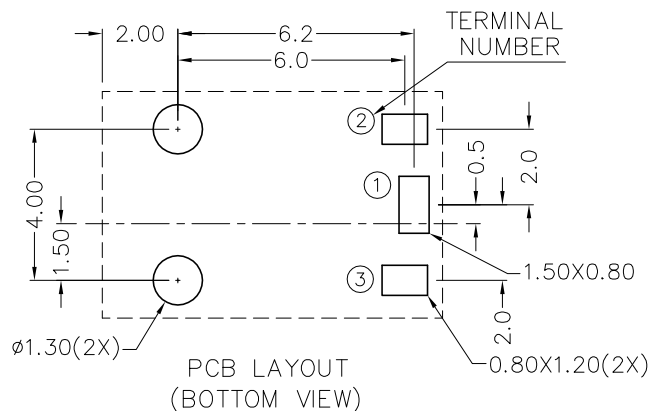
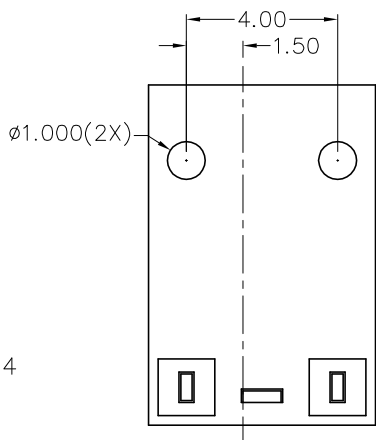
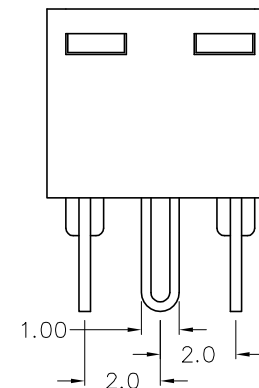
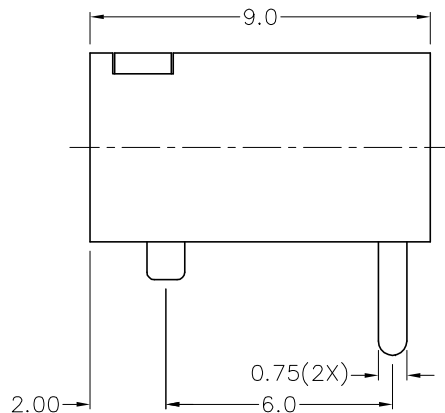
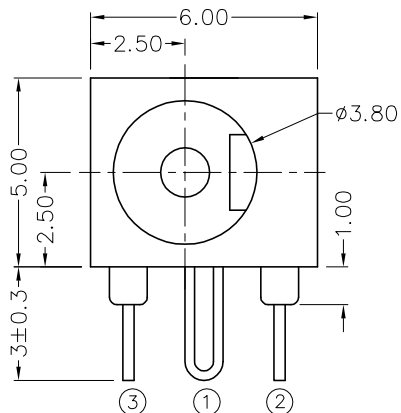
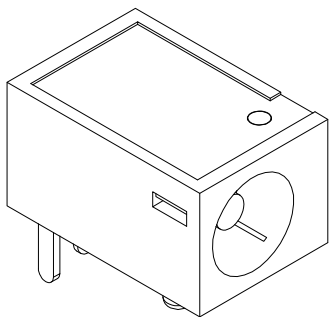
C

B

A

ZONE	SYMBOL	REVISION	APPROVAL	DATE
		ADD MATE PLUG	J.X.KUANG	11-7-2006

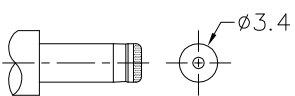
RoHS
Compliant



*** MATERIAL**

- TERMINAL 1 : BRASS
- TERMINAL 2 : COPPER ALLOY
- TERMINAL 3 : BRASS
- HOUSING : PA66
- COVER : PA66

MODEL NO.	TDC-037
SCHEMATIC	
CENTER PIN	ø1.3mm



DC MATE PLUG



CHAMPWAY 冠泰電子有限公司
CHAMPWAY ELECTRONICS CO., LTD.

DESIGN	J.X.KUANG	DATE	10-10-2003	SCALE	5:1
DRAWING	T.Y.LI	DATE	11-7-2006	MATERIAL	*
CHECK		DATE		DWG. NO.	TZ\DC037-PA66/B
APPROVAL		DATE		SHEET	

PART NAME	DC POWER SOCKET	TOLERANCE UNLESS	0.0±0.2	UNIT:	
PART NO.	TDC-037	OTHERWISE SPECIFIED:	0.00±0.1 0.000±0.05	mm	

F

E

D

C

B

A

DCF-04/A