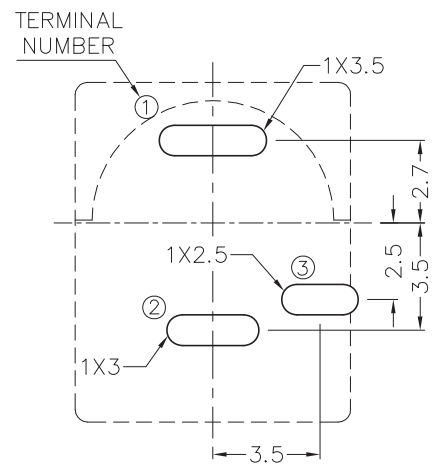
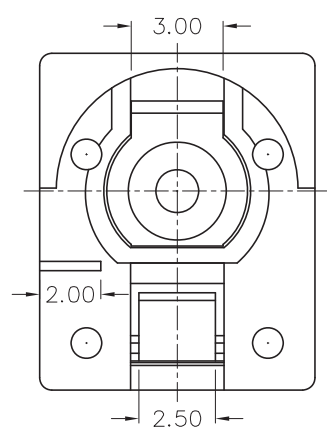
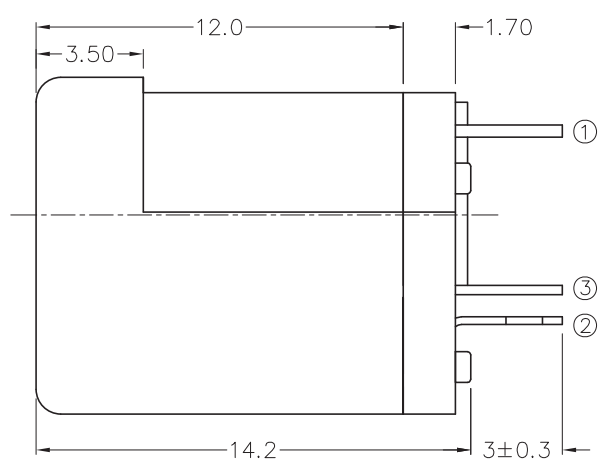
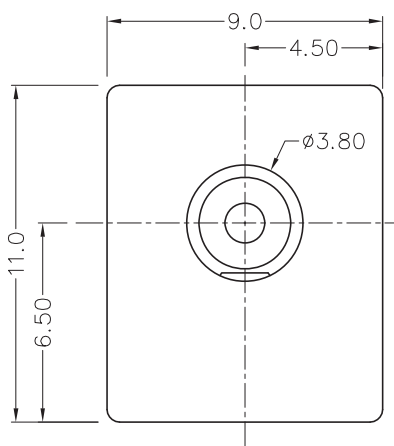
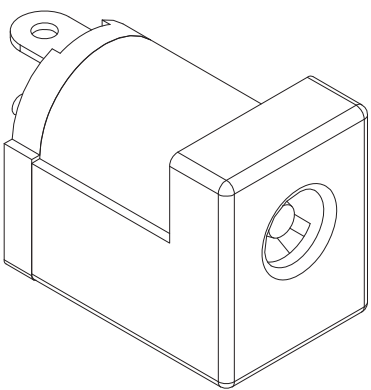


ZONE	SYMBOL	REVISION	APPROVAL	DATE
		UPDATE THE DWG.	J.X.KUANG	28-5-2013

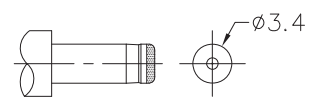
RoHS
Compliant



RECOMMENDED PCB LAYOUT
TOLERANCE: ±0.05
(TOP VIEW)

* MATERIAL
CENTRE PIN : COPPER
TERMINAL 1 : BRASS
TERMINAL 2 : COPPER ALLOY
TERMINAL 3 : BRASS
HOUSING : PBT
COVER : PBT

MODEL NO.	TDC-056
SCHEMATIC	
CENTER PIN	ø1mm
	ø1.3mm



DC MATE PLUG

CHAMPWAY 冠泰電子有限公司
CHAMPWAY ELECTRONICS CO., LTD.

PART NAME		DC POWER SOCKET	TOLERANCE UNLESS	0.0±0.2	UNIT:	DESIGN	J.JIANG	DATE	25-5-2004	SCALE	4:1
PART NO.		TDC-056	OTHERWISE SPECIFIED:	0.00±0.1 0.000±0.05		CHECK	T.Y.LI	DATE	28-5-2013	MATERIAL	*
APPROVAL						DATE		DWG. NO.	TZ\DC056-PBT/C		
						DATE		SHEET			