

REVZONE	REVISION	DATE	APPD.

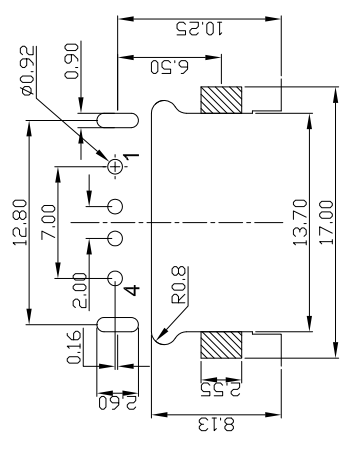
NO.	NAME	MATERIAL	FINISH
1	HOUSING	FR52 / LCP	
2	TERMINAL	PHOS. BRONZE	Gold-Tin Plated
3	SHELL	BRASS	Ni Plated

REVZONE	REVISION	DATE	APPD.

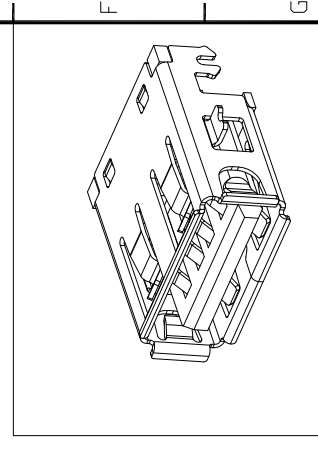
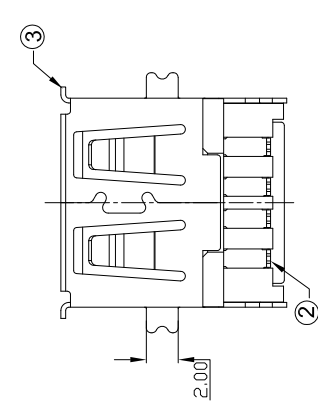
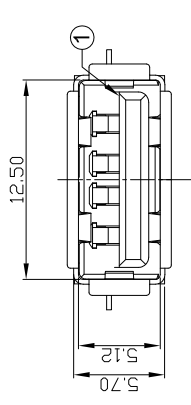
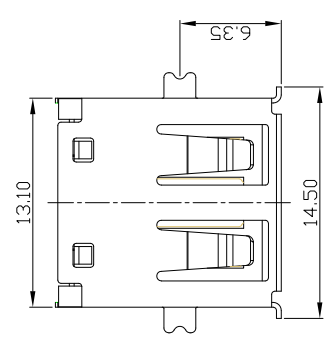
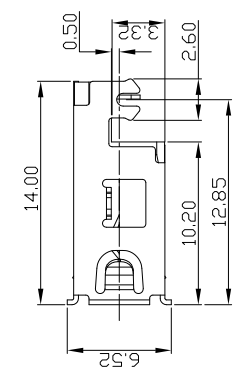
SUA-110E8 * - * * *

Series
Type
B: Black
Material
P: Nylon
L: LCP

Shell
N: Nickel Plated
Version
1: 1.1
2: 2.0



RECOMMEND PCB LAYOUT
TOP VIEW



COMPUTER NO.		UNIT	SCALE	PART NAME
D:\DWG\SUA-110E8		mm	1:1	USB. TYPE A REVERSE FLAT 90° DIP
APPD.	CKD.	DATE	TOLERANCE	REV.
Aaron	Eric	2009-11-13	0.000mm ± 0.15mm 0.00 mm ± 0.25 mm 0.0 mm ± 0.35 mm	A.0
MODEL	SUA-110E8 * - * * *		PAGE 1 OF 1	
CHAMPWAY 冠泰電子有限公司 CHAMPWAY ELECTRONICS CO., LTD.				