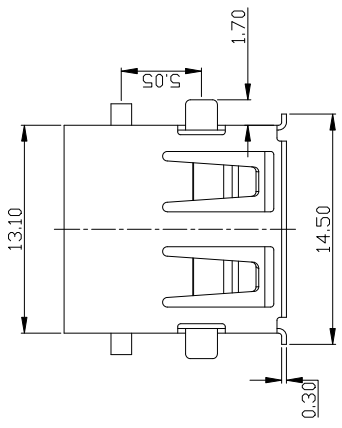
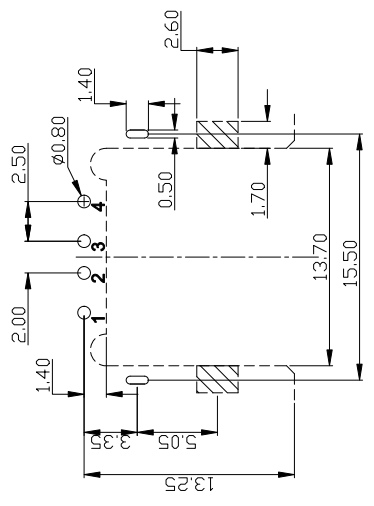


NO.	NAME	MATERIAL	FINISH
1	HOUSING	Nylon / Lcp	
2	PIN TEAM	PHOS. BRONZE	Gold-Tin Plated
3	SHELL	BRASS	Ni Plated

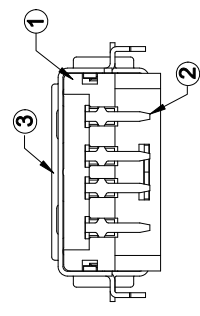
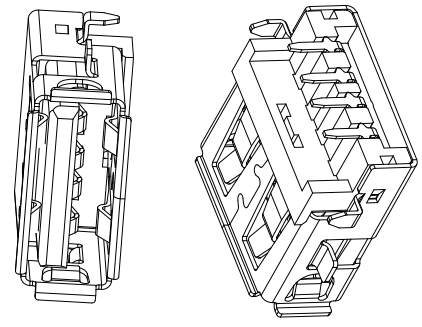
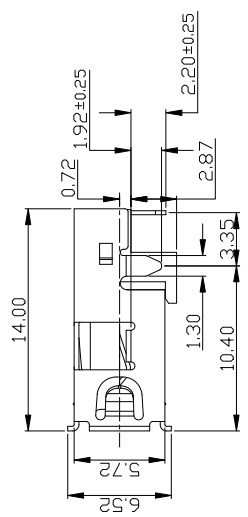
REV.ZONE	REVISION	DATE	APPD.

# SUA-110E9 \* - \* \* \*

**Series**  
**Type**  
**B : Black**  
**Material**  
**P : Nylon**  
**L : Lcp**  
**Shell**  
**N : Nickel Plated**  
**Version**  
**1 : 1.1**  
**2 : 2.0**



## RECOMMEND PCB LAYOUT TOP VIEW



COMPUTER NO.	UNIT	SCALE	PART NAME
D : \ DWG \ SUA-110E9	mm	1 : 1	USB. TYPE A FLAT 90° DIP
APPD.	DATE	TOLERANCE	REV.
Michael	2009-06-17	0.000mm ± 0.15mm 0.00 mm ± 0.25 mm 0.0 mm ± 0.35 mm	A.0
CKD.	DWG.		
Chindge			