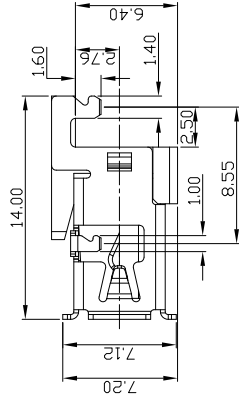
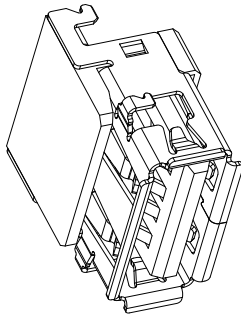
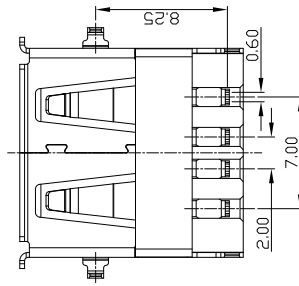
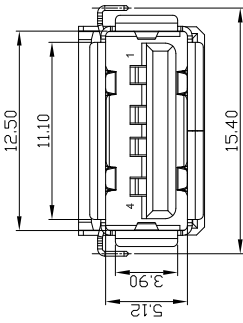
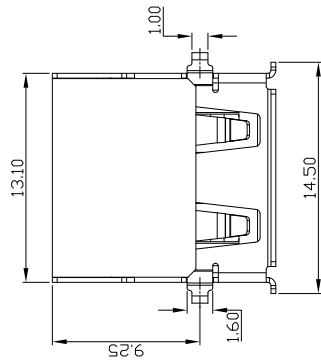
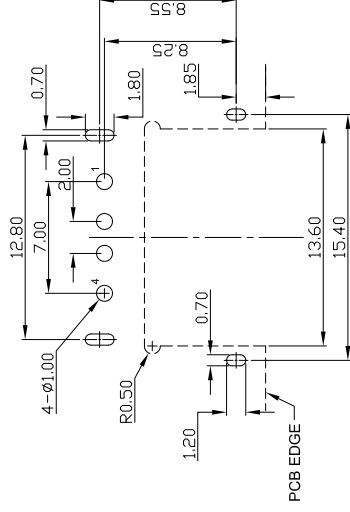


NO.	NAME	MATERIAL	FINISH
1	HOUSING	Nylon / Lcp	
2	CONTACT	PHOS. BRONZE	Gold-Tin Plated
3	SHELL	BRASS	Ni Plated



REV	ZONE	REVISION	DATE	APPD.



RECOMMENDED PCB LAYOUT  
TOP VIEW

RECOMMENDED PCB THICKNESS: 1.20 ± 0.05mm

# SUA-110EA \*-\*-\*

- Series: N : Nickel Plated
- Type: Shell
- B: Black
- Material: P : Nylon, L : Lcp
- Version: 1 : 1.1, 2 : 2.0

COMPUTER NO.		UNIT	SCALE	PART NAME	
D : \ DWG \ SUA-110EA		mm	1 : 1	USB, TYPE A REVERSE FLAT 90° DIP	
APPD.	CKD.	DATE	TOLERANCE	REV.	
Michael	Bike	2009-11-13	0.000mm ± 0.075mm 0.00 mm ± 0.15 mm 0.0 mm ± 0.25 mm		A.0
MODEL	SUA-110EA *-*-*		PAGE 1 OF 1		
<b>CHAMPWAY</b> 冠泰電子有限公司 CHAMPWAY ELECTRONICS CO., LTD.					