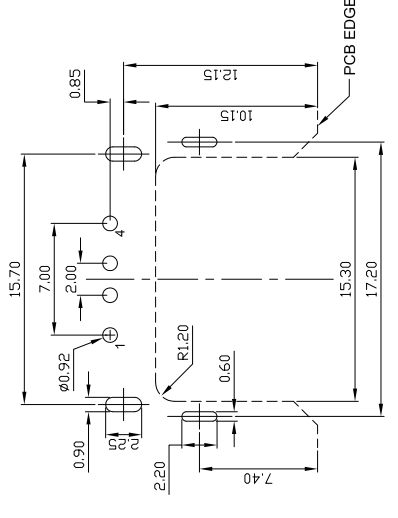
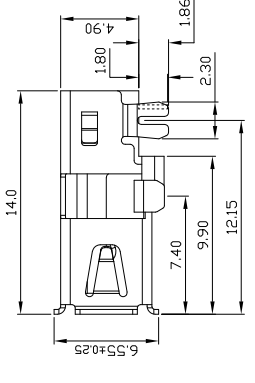
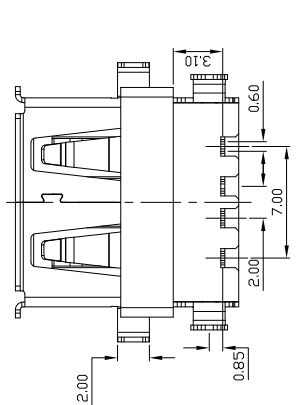
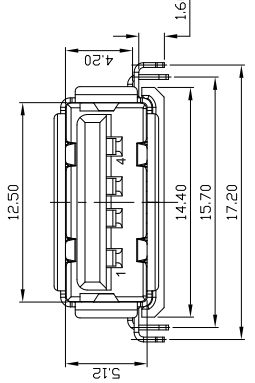
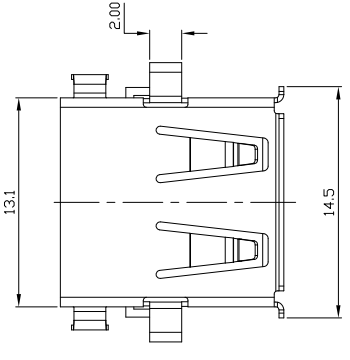


REV. ZONE	REVISION	DATE	APPD.

NO.	NAME	MATERIAL	FINISH
1	HOUSING	LCP	
2	CONTACT	PHOS. BRONZE	Gold-Tin Plated
3	SHELL	PHOS. BRONZE	Ni Plated



RECOMMENDED PCB LAYOUT
TOP VIEW

RECOMMENDED PCB THICKNESS: 1.20±0.05mm

SUA-110F5 * - * * *

- Series
- Type
- Color
B: Black
- Material
L: Lcp
- Shell
H: Nickel Plated
- Version
1: 1.1
2: 2.0

COMPUTER NO.	D : \ DWG \ SUA-110F5		UNIT	SCALE	PART NAME
	APPD.	CKD.	mm	1 : 1	USB. TYPE A FLAT 90° DIP
CHINDGE		DWG.	DATE	TOLERANCE	REV.
Bike		Bike	2009-12-04	0.000mm ± 0.075mm 0.00 mm ± 0.15 mm 0.0 mm ± 0.25 mm	A.0
MODEL	SUA-110F5 * - L * H		PAGE 1 OF 1		

CHAMPWAY 冠泰電子有限公司
CHAMPWAY ELECTRONICS CO., LTD.

