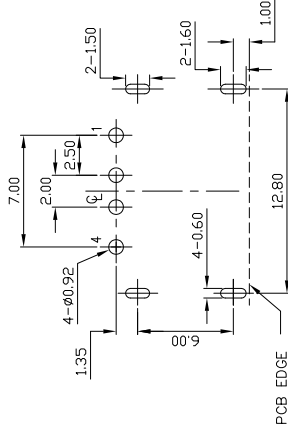
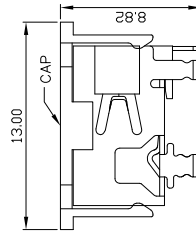
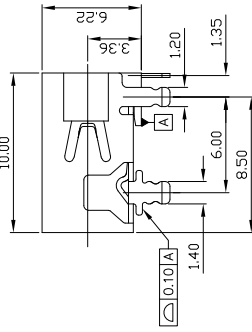
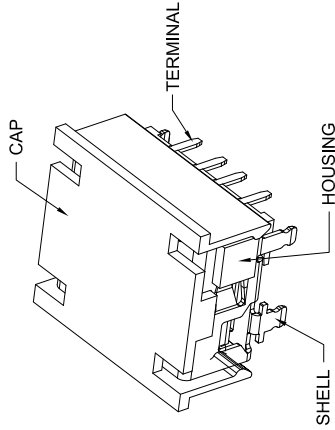
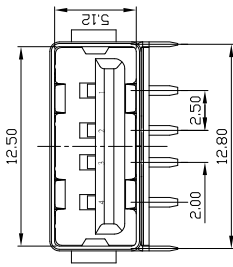
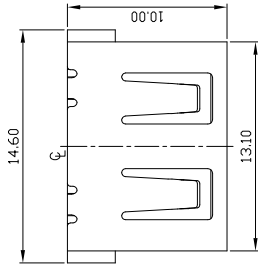


NO.	NAME	MATERIAL	FINISH
1	HOUSING	LCP	
2	CONTACT	PHOS. BRONZE	Gold-Tin Plated
3	SHELL	BRASS	Ni Plated
4	CAP	LCP	



RECOMMENDED PCB LAYOUT
TOP VIEW

RECOMMENDED PCB THICKNESS: 1.20 ± 0.05mm

SUA-110F * - * - * *

Series: Shell
 Type: N : Nickel Plated
 B: Black
 Material: Version
 L: LCP
 1 : 1.1
 2 : 2.0

REV. ZONE	REVISION	DATE	APPD.

CHAMPWAY 冠泰電子有限公司 CHAMPWAY ELECTRONICS CO., LTD.		COMPUTER NO.	UNIT	SCALE	PART NAME
D : \ DWG \ SUA-110F		DWG.	mm	1 : 1	USB, TYPE A REVERSE FLAT 90° DIP
APPD. Michael		CKD.	DATE	TOLERANCE	REV.
2009-11-13		Bike	2009-11-13	0.000mm ± 0.075mm 0.00 mm ± 0.15 mm 0.0 mm ± 0.25 mm	 A.0
MODEL	SUA-110F * - * - * *	PAGE 1 OF 1		8	