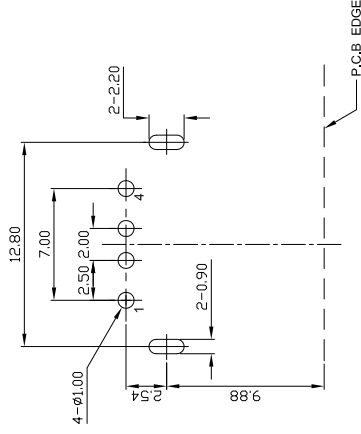
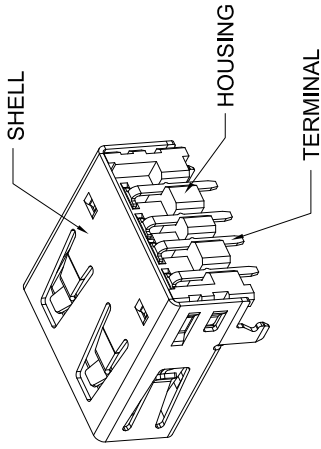
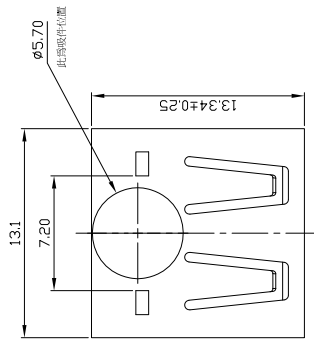
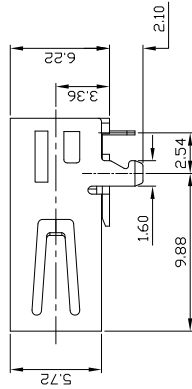
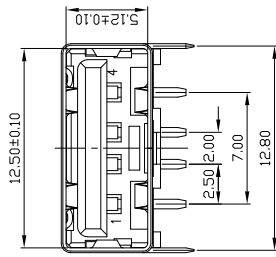


NO.	NAME	MATERIAL	FINISH
1	HOUSING	LCP	
2	CONTACT	PHOS. BRONZE	Gold-Tin Plated
3	SHELL	PHOS. BRONZE	Ni Plated



RECOMMENDED PCB LAYOUT  
TOP VIEW

RECOMMENDED PCB THICKNESS: 1.20 ± 0.05mm



# SUA-110F4 \* - \* \* \*

Series: Shell  
 Type: H: Nickel Plated  
 Color: B: Black  
 Material: L: Lcp  
 Version: 1: 1.1, 2: 2.0

REV. ZONE	REVISION	DATE	APPD.

COMPUTER NO.	UNIT	SCALE	PART NAME
D: \ DWG \ SUA-110F4	mm	1:1	USB. TYPE A FLAT 90° DIP
APPD.	DATE	TOLERANCE	REV.
CKD.	2009-12-03	0.000mm ± 0.075mm 0.00 mm ± 0.15 mm 0.0 mm ± 0.25 mm	A.0
Chindge	Song Lin		
DWG.			