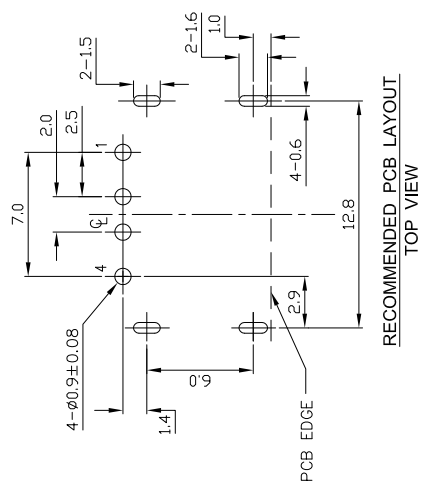
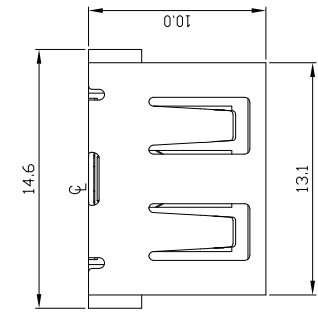
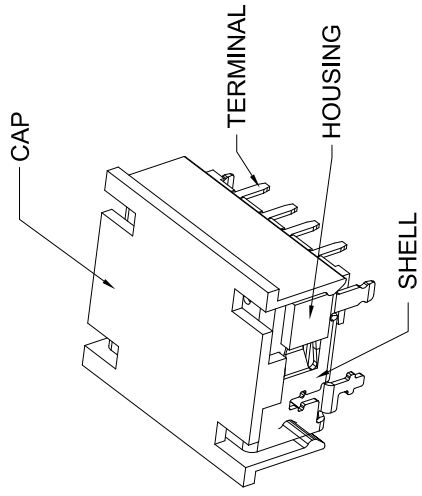


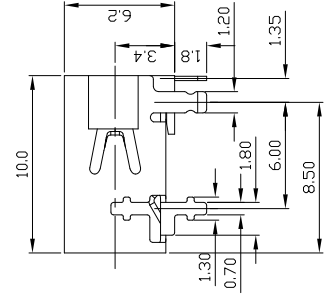
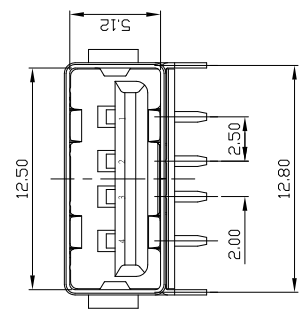
REV	ZONE	REVISION	DATE	APPD.

NO.	NAME	MATERIAL	FINISH
1	HOUSING	LCP	
2	CONTACT	PHOS. BRONZE	Gold-Tin Plated
3	SHELL	BRASS	Ni Plated



RECOMMENDED PCB LAYOUT
TOP VIEW

RECOMMENDED PCB THICKNESS: 1.20±0.05mm



SUA-110F6 * - * * *

- Series
- Type
- Color
B: Black
- Material
L: Lcp
- Shell
N: Nickel Plated
- Version
1: 1.1
2: 2.0

CHAMPWAY 冠泰電子有限公司 CHAMPWAY ELECTRONICS CO., LTD.		COMPUTER NO.	UNIT	SCALE	PART NAME
D:\DWG\SUA-110F6		DWG.	mm	1:1	USB, TYPE A REVERSE FLAT 90° DIP
APPD.		CKD.	DATE	TOLERANCE	REV.
Aaron		Eric	2010-02-08	0.000mm ± 0.075mm 0.00 mm ± 0.15 mm 0.0 mm ± 0.25 mm	 A.0
MODEL	SUA-110F6 * - L * N	PAGE 1 OF 1			