

NO.	NAME	MATERIAL
1	HOUSING	PBT / Nylon
2	PIN TERM.	PHOS. BRONZE
3	SHELL	BRASS / SPCC
4	SHELL	BRASS

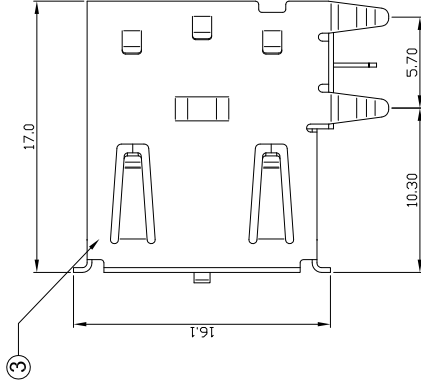
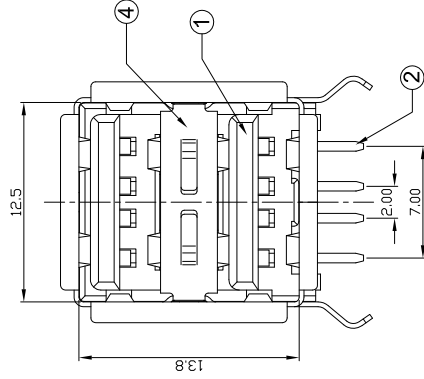
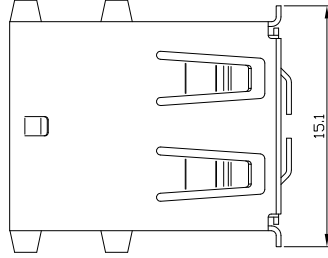
SUA-210H1S * - * * *

Series _____
 Type _____
 Color _____
 B : Black
 W : White

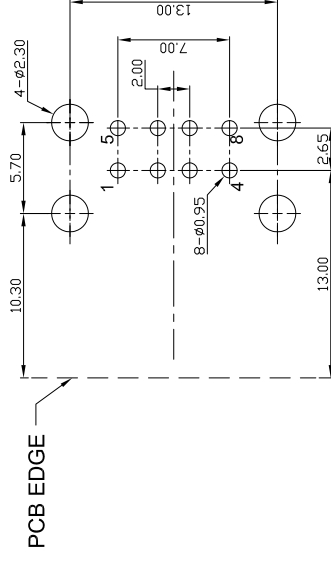
Shell
 T : Tin Plated
 F : SPCC
 N : Nickel Plated (Foggy Surface)

Version
 1 : 1.1
 2 : 2.0

Material
 B : PBT
 P : Nylon



SUGGESTED PCB LAYOUT TOP VIEW



REV. ZONE	REVISION	DATE	APPD.
A.1 (A)	增加Foggy Surface敘述	2009.3.24	Aaron

CHAMPWAY 冠泰電子有限公司
 CHAMPWAY ELECTRONICS CO., LTD.

MODEL

SUA-210H1S * - * * *

PAGE 1 OF 1

COMPUTER NO.
 D : \ DWG \ SUA-210H1S

APPD. Michael
 CKD. Michael
 DWG. Michael

UNIT mm
 DATE 2007-08-26

SCALE 1 : 1
 TOLERANCE
 0.000mm ± 0.075mm
 0.00 mm ± 0.15 mm
 0.0 mm ± 0.25 mm

PART NAME
 DOUBLE USB. TYPE A



REV.
 A.1