

NO.	NAME	MATERIAL
1	HOUSING	PBT / Nylon
2	PIN TERM.	PHOS. BRONZE
3	SHELL	BRASS / SPCC
4	SHELL	BRASS
5	HOUSING COVER	PBT

# SUA-210P \* - \* \* \*

Series

Type

Color

B : Black

W : White

Shell

Z : Nickel Plated (Shiny Surface)

Version

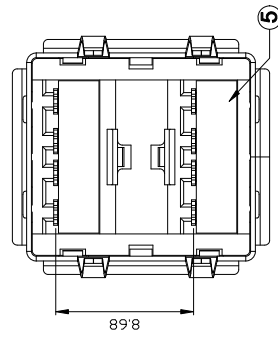
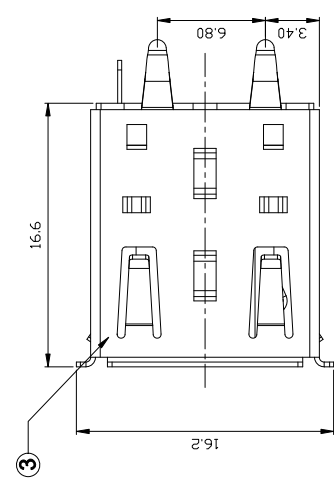
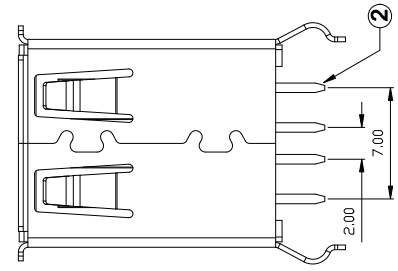
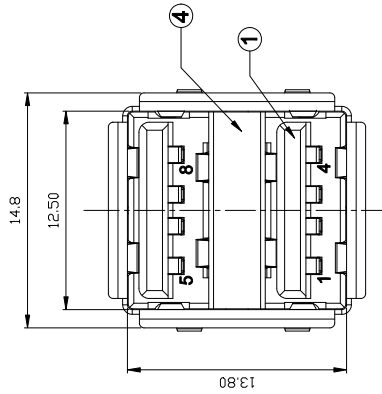
1 : 1.1

2 : 2.0

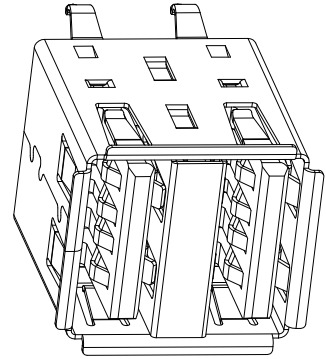
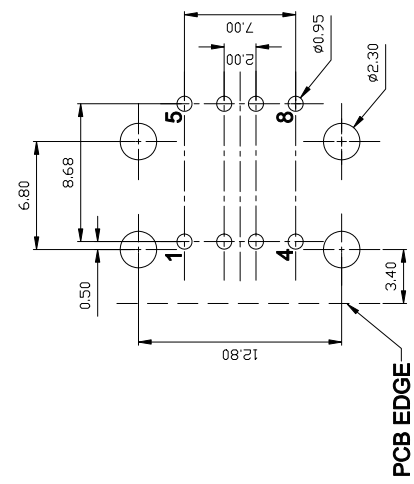
Material

B : PBT

P : Nylon



## SUGGESTED PCB LAYOUT TOP VIEW



REV	ZONE	REVISION	DATE	APPD.

COMPUTER NO.		UNIT	SCALE	PART NAME
D : \ DWG \ SUA-210P		mm	1 : 1	DOUBLE USB. TYPE A
APPD.	CKD.	DATE	TOLERANCE	REV.
Aaron	Eric	2010-06-24	0.000mm ± 0.075mm 0.00 mm ± 0.15 mm 0.0 mm ± 0.25 mm	A.0
MODEL	SUA-210P * - * * *			PAGE 1 OF 1
 <b>CHAMPWAY</b> 冠泰電子有限公司 CHAMPWAY ELECTRONICS CO., LTD.		冠泰電子有限公司 CHAMPWAY ELECTRONICS CO., LTD.		