

NO.	NAME	MATERIAL
1	HOUSING	PBT / Nylon
2	PIN TERM.	PHOS. BRONZE
3	SHELL	BRASS

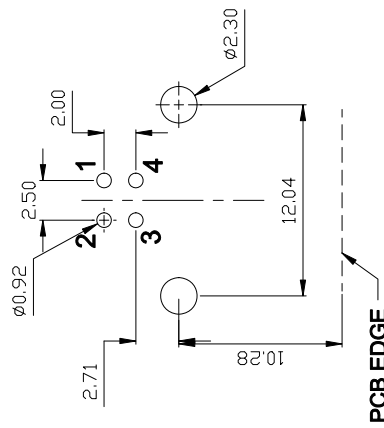
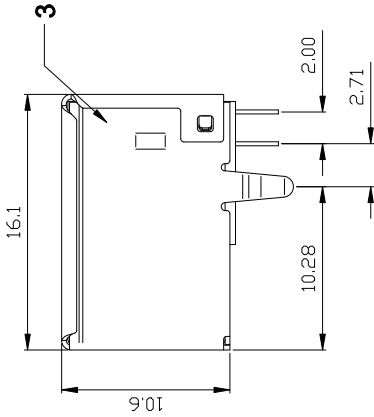
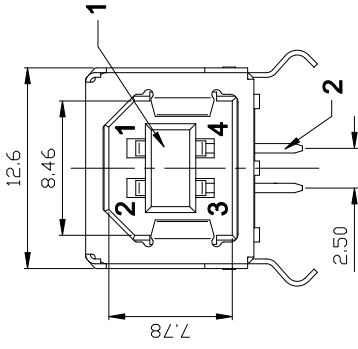
SUB-110H*-*-*

Series
Type
Color
B : Black
W : White

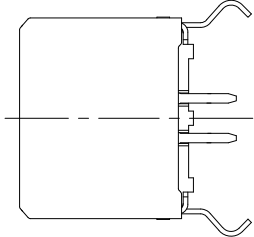
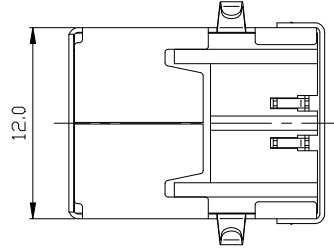
Shell
N : Nickel Plated (Foggy Surface)

Version
1 : 1.1
2 : 2.0
Material
B : PBT
P : Nylon

REV. ZONE	REVISION	DATE	APPD.



SUGGESTED PCB LAYOUT
TOP VIEW



CHAMPWAY
冠泰電子有限公司
CHAMPWAY ELECTRONICS CO., LTD.

MODEL SUB-110H*-*-* * * * * PAGE 1 OF 1

COMPUTER NO.	UNIT	SCALE	PART NAME
D : \ DWG \ SUB-110H	mm	1 : 1	USB. TYPE B FLAT 90° DIP
APPD.	DATE	TOLERANCE	REV.
Aaron	2010-05-12	0.000mm ± 0.075mm 0.00 mm ± 0.15 mm 0.0 mm ± 0.25 mm	A.0