

| | | |
|-----|-----------|--------------|
| NO. | NAME | MATERIAL |
| 1 | HOUSING | PBT / Nylon |
| 2 | PIN TERM. | PHOS. BRONZE |
| 3 | SHELL | BRASS |

SUB-110H1 * - * - * *

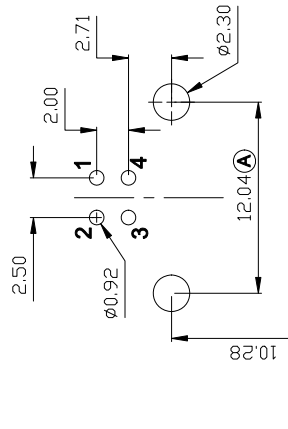
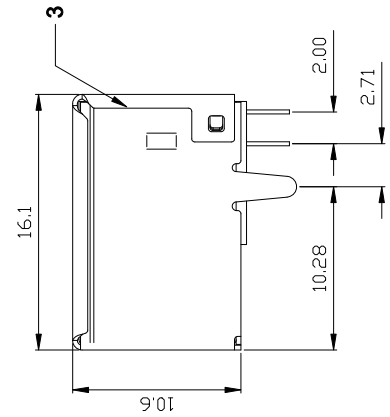
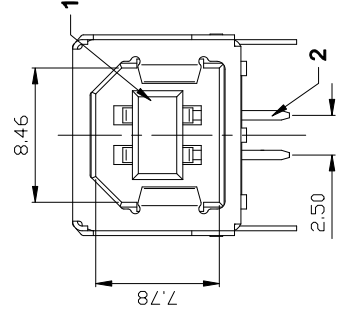
Series _____
 Type _____
 Color _____
 B : Black
 W : White

Shell
 Z : Nickel Plated (Shiny Surface)

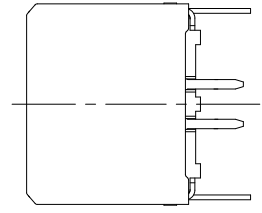
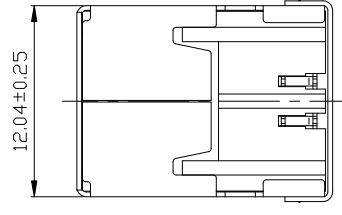
Version
 1 : 1.1
 2 : 2.0

Material
 B : PBT
 P : Nylon

| | | | |
|-----------|----------|------|-------|
| REV. ZONE | REVISION | DATE | APPD. |
| | | | |
| | | | |
| | | | |



PCB EDGE
 SUGGESTED PCB LAYOUT
 TOP VIEW



| | | | |
|-----------------------|------------|--|-----------------------------|
| COMPUTER NO. | UNIT | SCALE | PART NAME |
| D : \ DWG \ SUB-110H1 | mm | 1 : 1 | USB. TYPE B FLAT 90° DIP |
| APPD. | DATE | TOLERANCE | REV. |
| Aaron | 2010-06-17 | 0.000mm ± 0.075mm 0.00 mm ± 0.15 mm 0.0 mm ± 0.25 mm | A.0 |