

NO.	NAME	MATERIAL	FINISH
1	HOUSING	PBT or Nylon	
2	TERMINAL 1	PHOS. BRONZE	Gold-Tin Plated
3	TERMINAL 2	PHOS. BRONZE	Gold-Tin Plated
4	SHELL	BRASS	Ni Plated

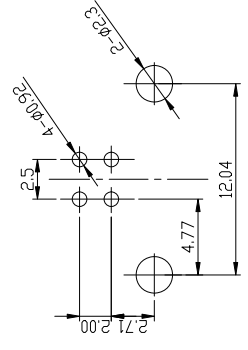
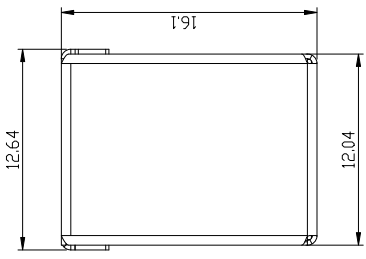
SUB-110H4 * - * - * - *

Series: _____
 Type: _____
 Color:
 B : Black
 W : White

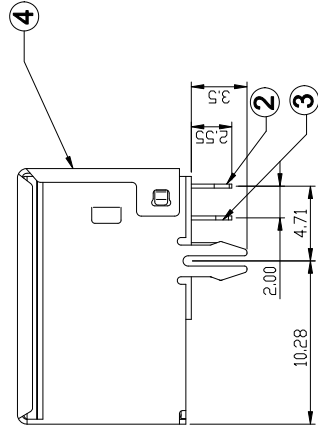
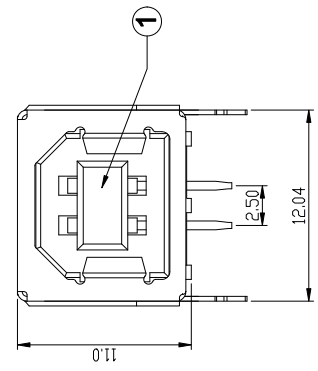
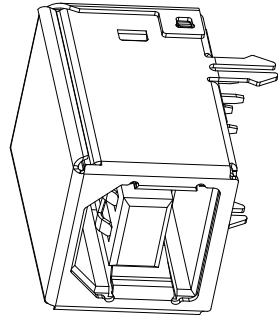
Shell
 Z : Nickel Plated (Shiny Surface)

Version
 1 : 1.1
 2 : 2.0

Material
 B : PBT
 P : Nylon



RECOMMENDED PCB LAYOUT
TOP VIEW



CHAMPWAY 冠泰電子有限公司 CHAMPWAY ELECTRONICS CO., LTD.		COMPUTER NO.	UNIT	SCALE	PART NAME
MODEL	SUB-110H4 * - * - * - *	D : \ DWG \ SUB-110H	mm	1 : 1	USB TYPE B FLAT 90° DIP
PAGE 1 OF 1		APPD.	DATE	TOLERANCE	REV.
		Aaron	2010-02-22	$0.000\text{mm} \pm 0.075\text{mm}$ $0.00 \text{ mm} \pm 0.15 \text{ mm}$ $0.0 \text{ mm} \pm 0.25 \text{ mm}$	A.0