

NO.	NAME	MATERIAL
1	HOUSING	PBT / Nylon
2	PIN TERM.	PHOS. BRONZE
3	SHELL	BRASS
4	SPRING	SUS

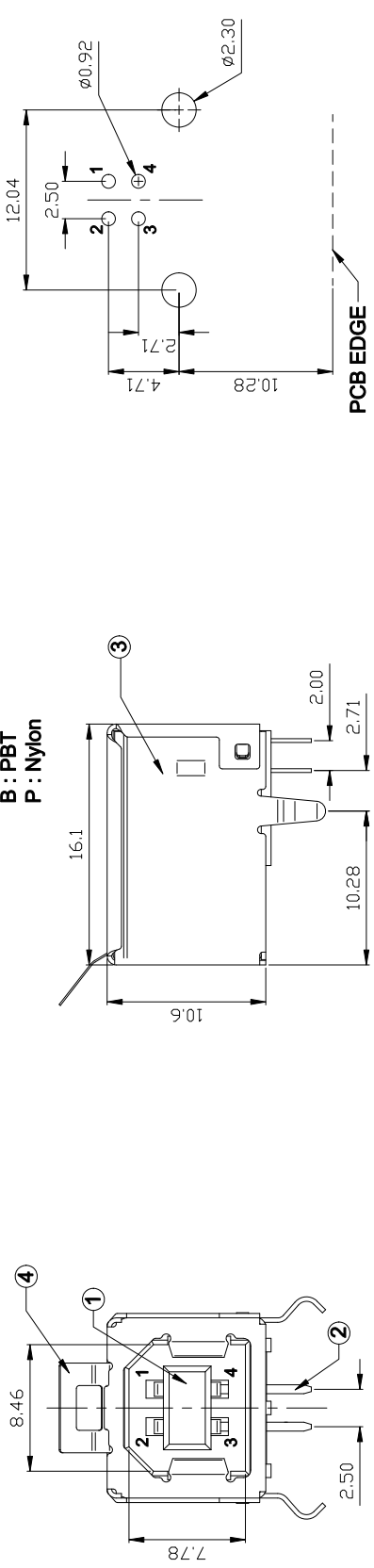
SUB-110HS***

Series: _____
 Type: _____
 Color: _____
 B : Black
 W : White

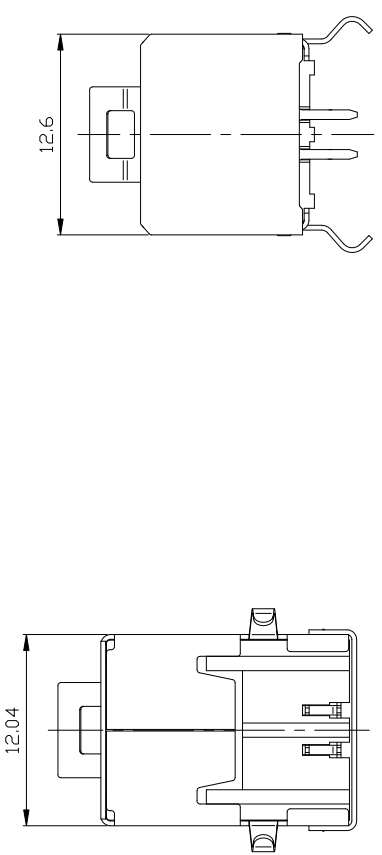
Shell: _____
 Z : Nickel Plated (Shiny Surface)

Version: _____
 1 : 1.1
 2 : 2.0

Material: _____
 B : PBT
 P : Nylon



SUGGESTED PCB LAYOUT TOP VIEW



REV. ZONE	REVISION	DATE	APPD.

CHAMPWAY 冠泰電子有限公司 CHAMPWAY ELECTRONICS CO., LTD.		COMPUTER NO.	UNIT	SCALE	PART NAME
D:\DWG\SUB-110HS		mm	1 : 1	USB. TYPE B FLAT 90° DIP	
APPD.	CKD.	DATE	TOLERANCE		
Aaron	Eric	2010-05-12	0.000mm ± 0.075mm 0.00 mm ± 0.15 mm 0.0 mm ± 0.25 mm		
MODEL	SUB-110HS***		PAGE 1 OF 1		REV. A.0