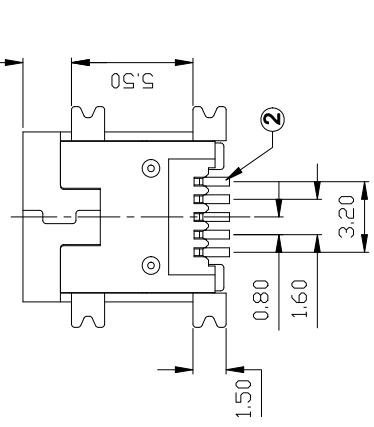
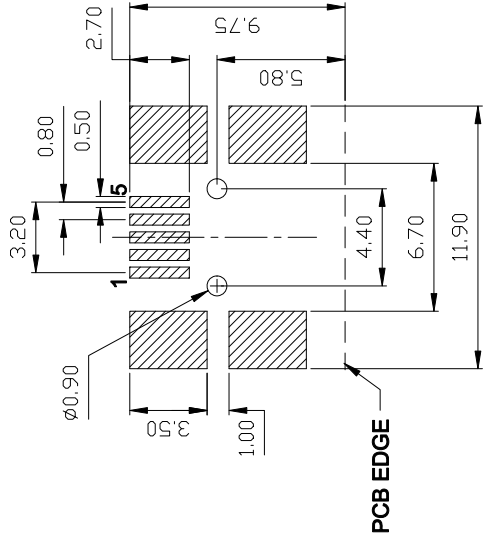
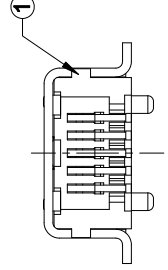
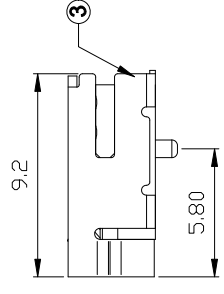
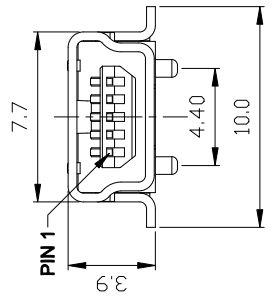


| | | |
|-----|-----------|-------------------|
| NO. | NAME | MATERIAL |
| 1 | HOUSING | PBT / Nylon / LCP |
| 2 | PIN TERM. | PHOS. BRONZE |
| 3 | SHELL | BRASS |

| | | | |
|-----------|----------|------------|-------|
| REV. ZONE | REVISION | DATE | APPD. |
| A.1 | 增加LCP选项 | 2009.11.09 | Eric |

SUA-120M2 * - * * *

Series: **SUA-120M2 * - * * ***
 Type: **SUA-120M2 * - * * ***
 Color: B : Black, W : White
 Shell: N : Nickel Plated, T : Tin Plated, F : SPCC
 Version: 1 : 1.1, 2 : 2.0
 Material: B : PBT, P : Nylon, L : LCP



SUGGESTED PCB LAYOUT TOP VIEW

| | | |
|--------------|--|-------------|
| MODEL | SUA-120M2 * - * * * | PAGE 1 OF 1 |
| APPD. | Michael | Valiant |
| CKD. | Michael | Valiant |
| DWG. | DWG. | DWG. |
| COMPUTER NO. | D : \ DWG \ SUA-120M | |
| UNIT | mm | |
| SCALE | 1 : 1 | |
| TOLERANCE | 0.000mm ± 0.075mm 0.00 mm ± 0.15 mm 0.0 mm ± 0.25 mm | |
| DATE | 2007-03-06 | |
| PART NAME | USB MINI B CONNECTOR CONTACT-SMT SHIELD-SMT | |
| REV. | A.1 | |