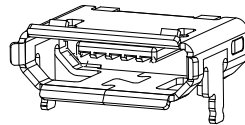
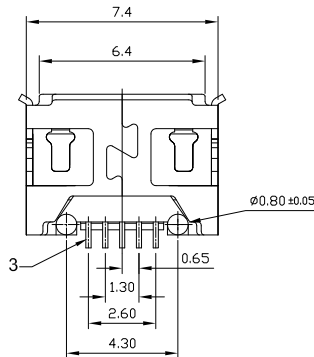
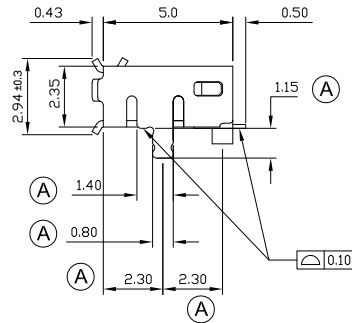
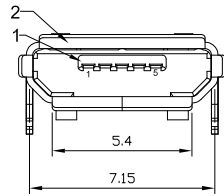


NO.	NAME	MATERIAL	PLATING
1	HOUSING	Nylon or LCP	
2	SHELL	Alloy	Nickel-Plated
3	PIN TERM.	Copper Alloy	Tin-Plated

REV	ZONE	REVISION	DATE	APPD.
A.1	(A)	設變外殼腳	2010.12.13	Sky

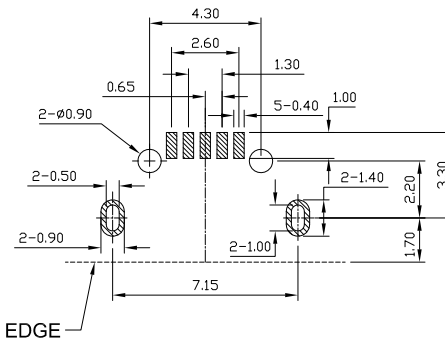


SUA-160M1B-\*\*\*E

Series  
Type  
Color  
B : Black

Shell  
E : Nickel Plated  
Version  
1 : 1.1  
2 : 2.0

Material  
P : Nylon  
L : LCP



PCB EDGE

RECOMMENDED PCB LAYOUT  
TOP VIEW  
TOLERANCE: ±0.02mm  
PCB THICKNESS: 0.80±0.05mm

**CHAMPWAY** 冠泰電子有限公司  
CHAMPWAY ELECTRONICS CO., LTD.

COMPUTER NO.

UNIT

SCALE

PART NAME

D:\DWG\SUA-160M

mm

1:1

MICRO USB 5 PIN SMT

APPD.

CKD.

DWG.

DATE

TOLERANCE

REV.

MODEL

SUA-160M1B-\*\*\*E

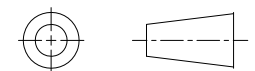
PAGE 1 OF 1

Chindge

李松林

2010-10-21

0.000mm ± 0.075mm  
0.00 mm ± 0.20 mm  
0.0 mm ± 0.30 mm



A.1