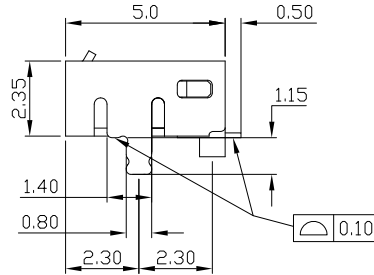
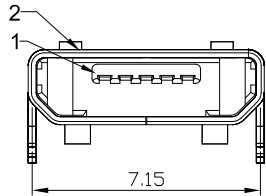


NO.	NAME	MATERIAL	FINISH
1	HOUSING	Nylon / LCP	
2	TERMINAL	Copper Alloy	Gold-Plated
3	SHELL	Alloy	Ni-Plated

REV	ZONE	REVISION	DATE	APPD.

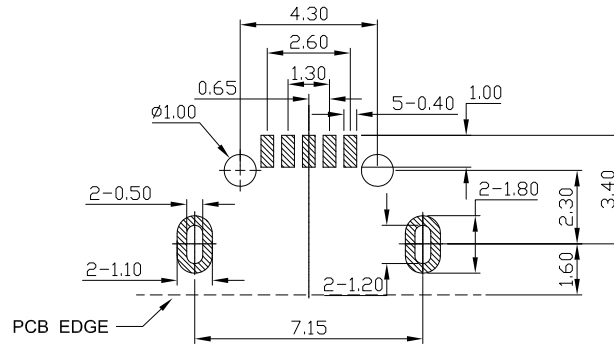
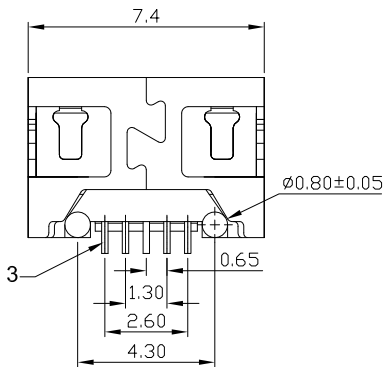


**SUA-160M2 \* - \* \* E**

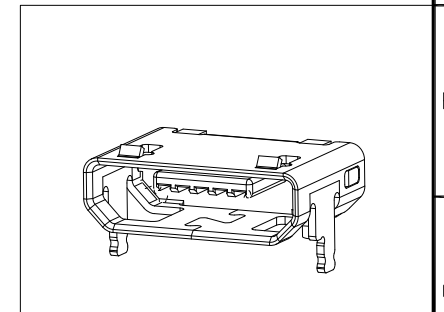
Series ————  
 Type ————  
 B: Black ————  
 Material ————  
 P : Nylon  
 L : LCP

Shell  
 E : Nickel Plated

Version  
 1 : 1.1  
 2 : 2.0



RECOMMENDED PCB LAYOUT  
 TOP VIEW  
 TOLERANCE: ±0.02mm  
 PCB THICKNESS: 0.80±0.05mm



**CHAMPWAY** 冠泰電子有限公司  
 CHAMPWAY ELECTRONICS CO., LTD.

COMPUTER NO.			UNIT	SCALE	PART NAME	
D : \ DWG \ SUA-160M2			mm	2 : 1	MICRO USB 5 PIN SMT	
APPD.	CKD.	DWG.	DATE	TOLERANCE		REV.
	Chindge	Sky	2010-12-20	0.000mm ± 0.15mm 0.00 mm ± 0.25 mm 0.0 mm ± 0.35 mm		A.0

MODEL SUA-160M2 \* - \* \* E PAGE 1 OF 1