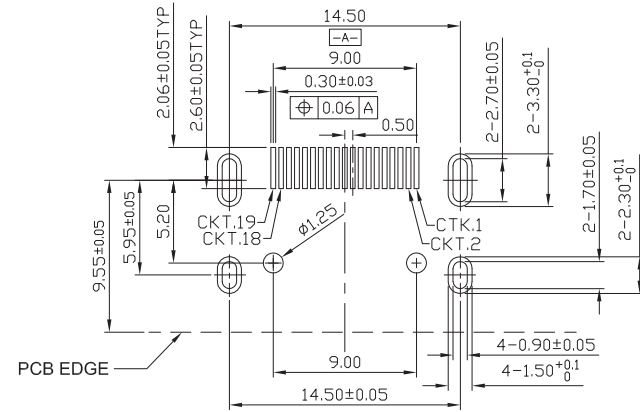
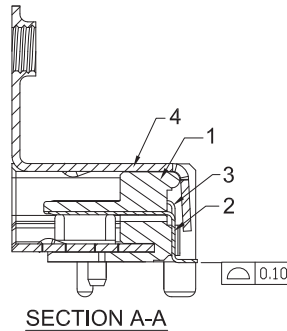
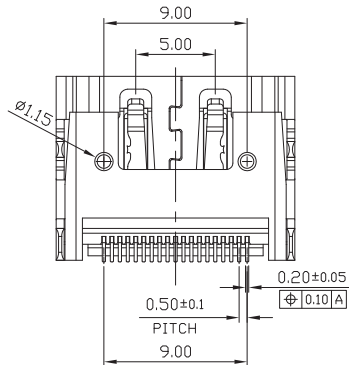
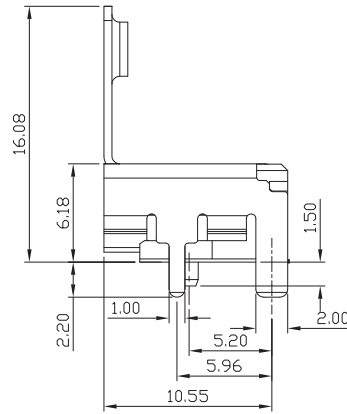
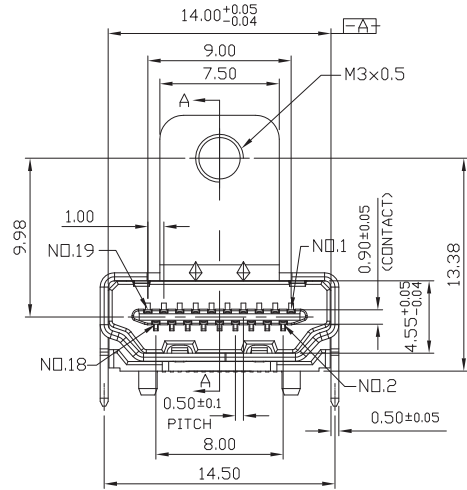


C-SUD-110MT * -L * N

Series _____ Shell
 Type _____ N : Nickel Plated
 Color _____ Gold Plated
 B: Black 0 : 3u"
 Material _____ 1 : 5u"
 L : LCP 2 : 15£g"
 3 : 30£g"



RECOMMENDED PCB LAYOUT
TOP VIEW

NO.	NAME	MATERIAL
1	HOUSING	LCP
2	CONTACT 1	COPPER ALLOY
3	CONTACT 2	COPPER ALLOY
3	SHELL	ALLOY

CHAMPWAY 冠泰電子有限公司
CHAMPWAY ELECTRONICS CO., LTD.

COMPUTER NO.

UNIT

SCALE

PART NAME

D: \ DWG \ SUD-110MT

mm

1 : 1

HDMI A Type 19P/F
90° SMT With Flange

APPD.

CKD.

DWG.

DATE

TOLERANCE

PART NO.

REV.

MODEL

C-SUD-110MT * -L * N

PAGE 1 OF 1

Aaron

Lucy

2010-12-27

0.000mm ± 0.075mm
0.00 mm ± 0.20 mm
0.0 mm ± 0.25 mm

A.0